

# A150

## “EUROMODEL” FIXED LEVER WITH THREADED INSERT



### Materials:

Special technopolymer reinforced with high-strength glass fiber.  
Resistant to oils and greases.

### Surface finish:

Satin.

### Colour:

Black (RAL 9011).

### Central cap:

Central cap in grey polyamide (RAL 7035).

### Inserts:

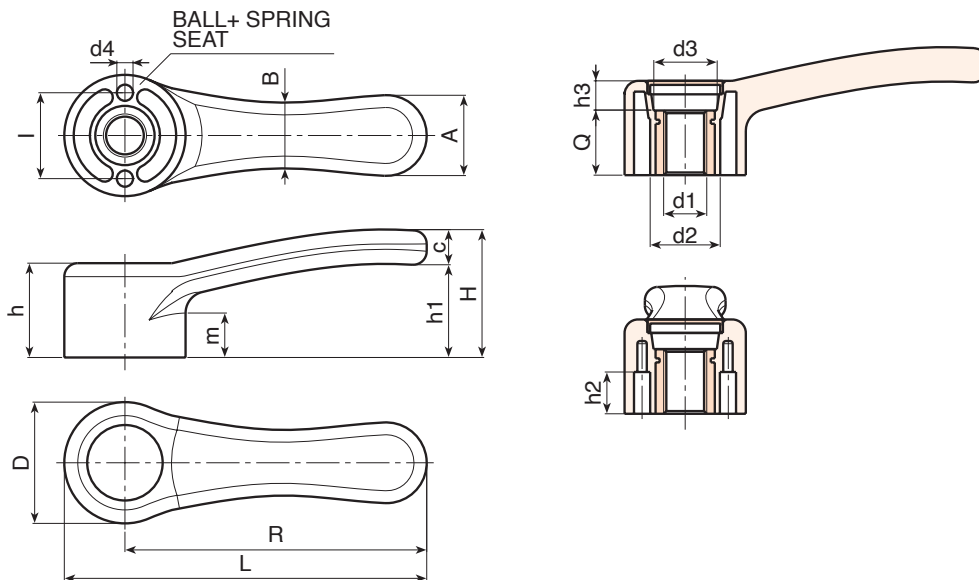
Galvanised steel insert with threaded through hole (thread tolerance 6H).

### Alternative cap colours:

Orange (RAL 2004 code 02).  
Blue (RAL 5015 code 07).  
Yellow (RAL 1021 code 10).  
Red (RAL 3000 code 16).  
Green (RAL 6024 code 17).  
Black (RAL 9011 code 01).

### Special requests:

- Upon request balls and fixing springs (galvanised steel).
- Upon request and for special quantities inserts can be supplied in different materials.
- Upon request and for special quantities inserts can be supplied with a different treatment.
- Upon request and for special quantities available in the colours indicated in the chart [page 959].



Code	Art.	L	R	D	H	h	h1	h2	h3	m	l	A	B	c	d2	d3	d4	d16H	Q	
A150068.0001	A150068.TM0601	84.5	68	33	37	25	27	11.5	9	12	24	20	17	10	20	16	4	M6	16	42
A150068.0002	A150068.TM0801	84.5	68	33	37	25	27	11.5	9	12	24	20	17	10	20	16	4	M8	16	40
A150068.0006	A150068.TM1001	84.5	68	33	37	25	27	11.5	9	12	24	20	17	10	20	16	4	M10	16	40
A150086.0001	A150086.TM0801	104	86	36	40	28	29	14	12	13	26	24	19	11	22	18	5	M8	16	72
A150086.0001	A150086.TM1001	104	86	36	40	28	29	14	12	13	26	24	19	11	22	18	5	M10	16	71
A150086.0005	A150086.TM1201	104	86	36	40	28	29	14	12	13	26	24	19	11	22	18	5	M12	16	70
A150112.0004	A150112.TM1201	134.5	112	45	47	36	35	14.5	12	16	32	30	24	13	26	23.5	6	M12	24	99
A150112.0010	A150112.TM1401	134.5	112	45	47	36	35	14.5	12	16	32	30	24	13	26	23.5	6	M14	24	98
A150112.0012	A150112.TM1601	134.5	112	45	47	36	35	14.5	12	16	32	30	24	13	26	23.5	6	M16	24	95
A150142.0001	A150142.TM1401	169.5	142	55	52	40	36	18	13	17.5	40	37	30	16	32	28	8	M14	27	240
A150142.0003	A150142.TM1601	169.5	142	55	52	40	36	18	13	17.5	40	37	30	16	32	28	8	M16	27	235
A150142.0005	A150142.TM1801	169.5	142	55	52	40	36	18	13	17.5	40	37	30	16	32	28	8	M18	27	230