

A529

FIXED LEVER WITH THREADED STUD



Materials:
Reinforced polyamide.
Resistant to oils and greases.

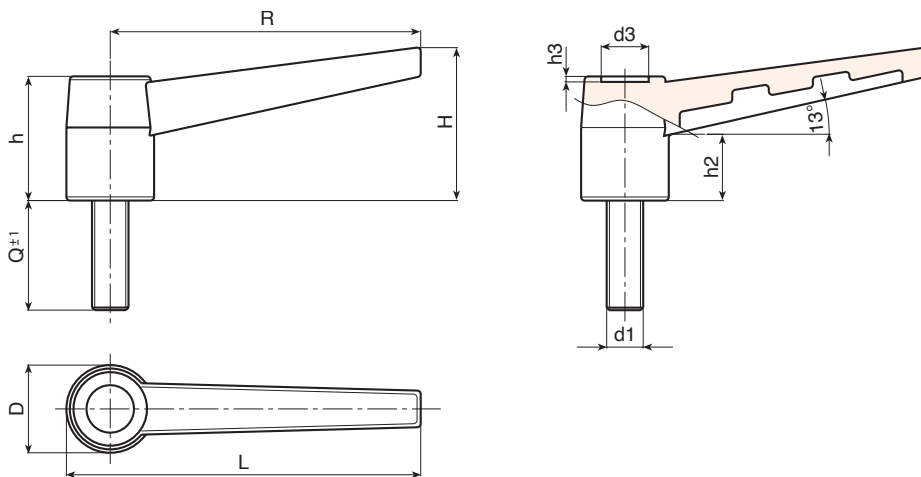
Surface finish:
Satin.

Colour:
Black (RAL 9011).

Inserts:
Galvanised steel threaded stud (thread tolerance 6g).

Special requests:

- Upon request and for special quantities inserts can be supplied with customised lengths.
- Upon request and for special quantities inserts can be supplied in different materials.
- Upon request and for special quantities available in the colours indicated in the chart [page 959].



Code	Art.	L	R	H	D	h	h2	h3	d3	LM	d16g	Q	g
A52943.0001	A52943.TM05X1001	50	43	21.5	15	19	9	1	7	30	M5	10	9
A52943.0003	A52943.TM05X2001	50	43	21.5	15	19	9	1	7	30	M5	20	10
A52943.0005	A52943.TM05X3001	50	43	21.5	15	19	9	1	7	30	M5	30	11
A52943.0006	A52943.TM06X1001	50	43	21.5	15	19	9	1	7	30	M6	10	10
A52943.0008	A52943.TM06X2001	50	43	21.5	15	19	9	1	7	30	M6	20	12
A52943.0011	A52943.TM06X3001	50	43	21.5	15	19	9	1	7	30	M6	30	14
A52943.0012	A52943.TM06X4001	50	43	21.5	15	19	9	1	7	30	M6	40	16
A52968.0001	A52968.TM06X1001	78	68	36	21	28.5	11	2	10	50	M6	10	25
A52968.0003	A52968.TM06X2001	78	68	36	21	28.5	11	2	10	50	M6	20	27
A52968.0007	A52968.TM08X1601	78	68	36	21	28.5	11	2	10	50	M8	16	30
A52968.0008	A52968.TM08X2001	78	68	36	21	28.5	11	2	10	50	M8	20	32
A52968.0011	A52968.TM08X3001	78	68	36	21	28.5	11	2	10	50	M8	30	36
A52968.0013	A52968.TM08X4001	78	68	36	21	28.5	11	2	10	50	M8	40	39
A52983.0008	A52983.TM08X2001	93	83	40	24	34	18	2	13	60	M8	20	44
A52983.0010	A52983.TM08X3001	93	83	40	24	34	18	2	13	60	M8	30	47
A52983.0011	A52983.TM08X4001	93	83	40	24	34	18	2	13	60	M8	40	50
A52983.0013	A52983.TM08X6001	93	83	40	24	34	18	2	13	60	M8	60	56
A52983.0015	A52983.TM10X2001	93	83	40	24	34	18	2	13	60	M10	20	48
A52983.0018	A52983.TM10X3001	93	83	40	24	34	18	2	13	60	M10	30	53
A52983.0020	A52983.TM10X4001	93	83	40	24	34	18	2	13	60	M10	40	58

Customised stud length available for a minimum of 150 pieces.
LM = Maximum mouldable length.

