

A530



"EUROMODEL" FIXED LEVER WITH THREADED INSERT

Materials:

Special technopolymer reinforced with high-strength glass fiber.
Resistant to oils and greases.

Surface finish:

Satin.

Colour:

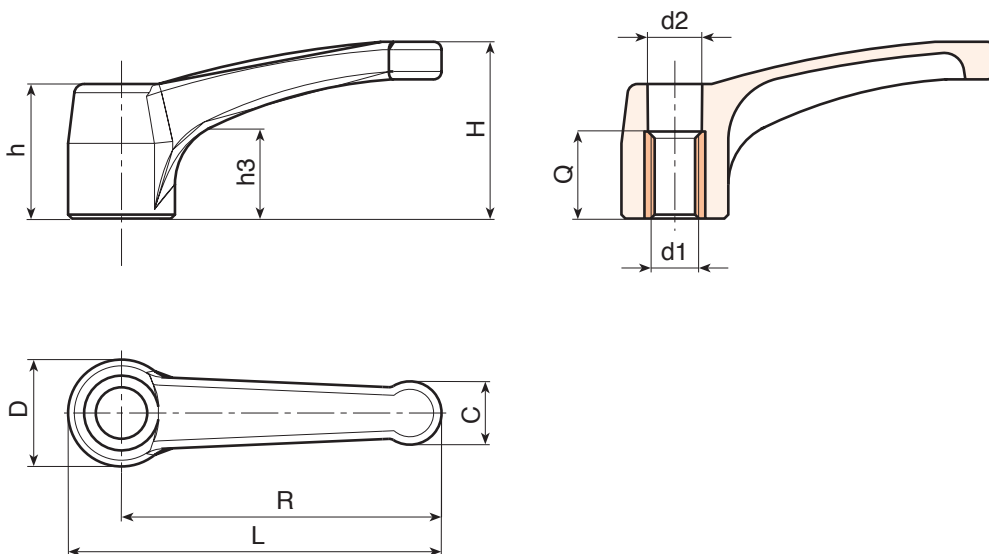
Black (RAL 9011).

Inserts:

Brass insert with female threaded hole (thread tolerance 6H).

Special requests:

- Upon request and for special quantities inserts can be supplied in different materials.
- Upon request and for special quantities available in the colours indicated in the chart [page 959].



Code	Art.	L	R	H	D	c	h	h1	d2	d16H	Q	81
A530094.0001	A530094.TM1201	109	94	48.5	30	18	35.5	49	16	M12	22	81