

A562



INDEXED CLAMPING LEVER WITH BUTTON AND THREADED INSERT

Materials:

Special technopolymer reinforced with high-strength glass fiber.
Resistant to oils and greases.

Surface finish:

Satin.

Lever body and insert colour:

Black (RAL 9011).

Inserts:

Brass insert with female threaded hole (thread tolerance 6H).

Button:

Black polyamide button (RAL 9011).

Spring:

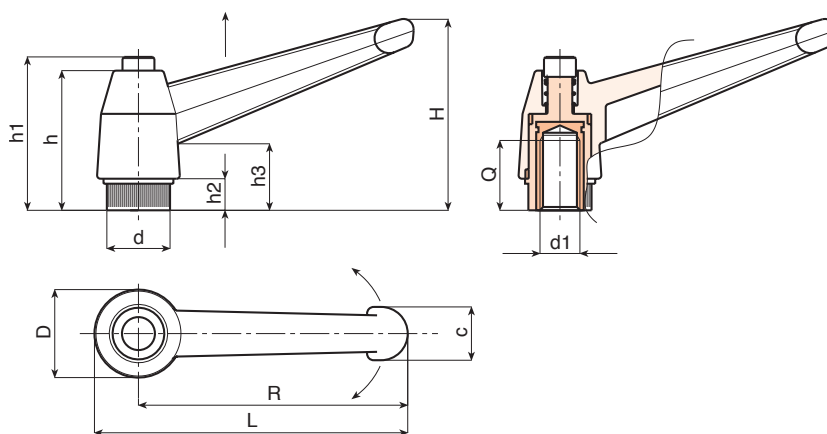
Stainless steel spring (Aisi 302).

Alternative lever body and button colours:

Orange (RAL 2004 code 02).
Blue (RAL 5015 code 07).
Yellow (RAL 1021 code 10).
Red (RAL 3000 code 16).
Green (RAL 6024 code 17).
Grey (RAL 7035 cod. 13).

Special requests:

- Upon request and for special quantities inserts can be supplied in different materials.
- Upon request and for special quantities lever body and button available in the colours indicated in the chart [on page 959].



Code	Art.	L	R	H	D	d	c	h	h1	h2	h3	d16H	Q	
A562043.0001	A562043.TM0401	52	43	33	17	11.5	11	27	30	6	14	M4	10	14
A562043.0003	A562043.TM0501	52	43	33	17	11.5	11	27	30	6	14	M5	9	14
A562043.0006	A562043.TM0601	52	43	33	17	11.5	11	27	30	6	14	M6	9	14
A562065.0001	A562065.TM0601	77	65	45	23	15	13	34	38	8	17	M6	15	28
A562065.0004	A562065.TM0801	77	65	45	23	15	13	34	38	8	17	M8	15	26
A562065.0013	A562065.TM1001	77	65	45	23	15	13	34	38	8	17	M10	13	28
A562083.0001	A562083.TM0801	97	83	57	27	19	16	43	47	10	23	M8	17	52
A562083.0007	A562083.TM1001	97	83	57	27	19	16	43	47	10	23	M10	17	48
A562083.0013	A562083.TM1201	97	83	57	27	19	16	43	47	10	23	M12	16	48
A562104.0001	A562104.TM1001	121	104	70	33	24	19	50	53	11	26	M10	20	114
A562104.0004	A562104.TM1201	121	104	70	33	24	19	50	53	11	26	M12	22	106
A562104.0009	A562104.TM1401	121	104	70	33	24	19	50	53	11	26	M14	21	100
A562104.0012	A562104.TM1601	121	104	70	33	24	19	50	53	11	26	M16	23	100