

B224AE

+135°
-30°

PA6
+G.F.

UL94
V0

RoHS
COMPLIANT

SELF-EXTINGUISHING FIXED HANDLE WITH THROUGH HOLE

UL94 - V0

Materials:

Self-extinguishing reinforced polyamide UL94 V0 with yellow card.
Resistant to oils and greases.

Surface finish:

Satin.

Colour:

Black (RAL 9011).

Hole:

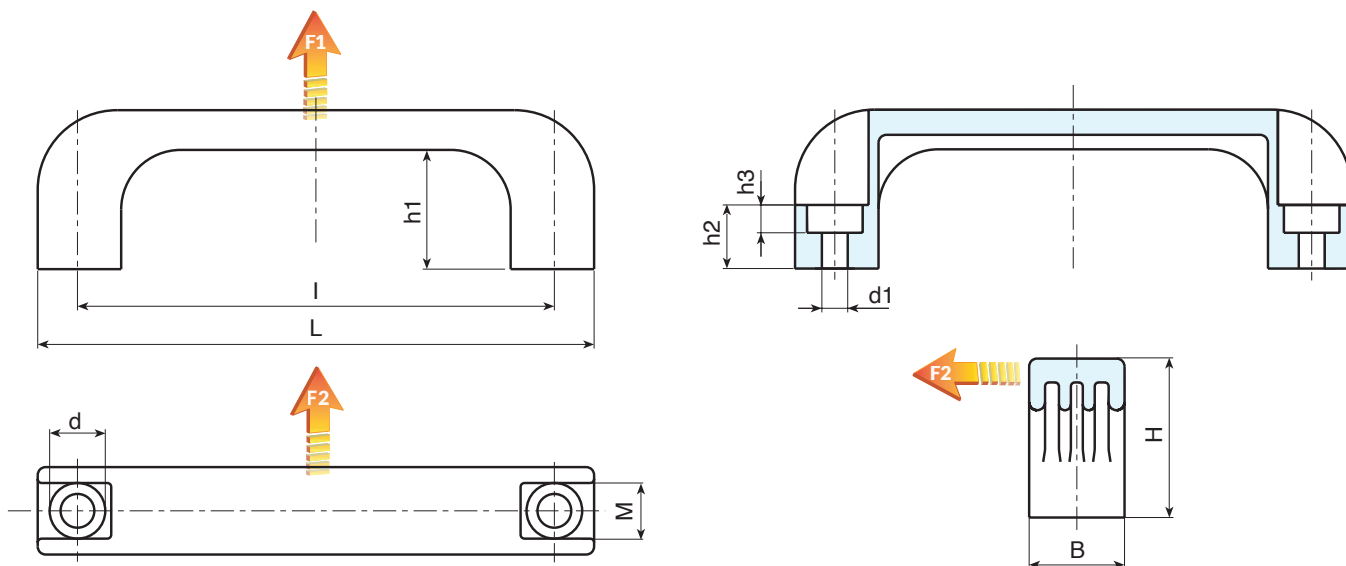
Smooth through hole obtained by moulding the plastic.

Special requests:

- None.



02



UL94 V0

Code	art.	L	l	B	M	H	h1	h2	h3	d	d1	g	F1 (N)	F2 (N)
B224094.0001	B224094.TG6.501AE	110	94	21	13	37	29	13	7	11	6.5	22	2500	1250
B224117.0001	B224117.TG6.501AE	140	117	24	13	40	29	15	7	14	6.5	43	4400	3000
B224117.0008	B224117.TG8.501AE	140	117	24	13	40	29	15	9	14	8.5	39	4400	3000
B224120.0002	B224120.TG6.501AE	140	120	24	14	40	29	15	7	14	6.5	42	4800	3200
B224120.0008	B224120.TG8.501AE	140	120	24	14	40	29	15	9	14	8.5	39	4800	3200
B224132.0001	B224132.TG8.501AE	151	132	26	14	43	31	16	9	14	8.5	63	3400	3200
B224180.0001	B224180.TG8.501AE	200	180	28	17	51	39	21	9	14	8.5	74	4000	3000
B224235.0001	B224235.TG10.501AE	262	235	32	20	53	40	21	11	17	10.5	123	3800	3000