

B225

FIXED HANDLE FOR CURVED SURFACES



Materials:

Reinforced polyamide.
Resistant to oils and greases.

Surface finish:

Satin.

Colour:

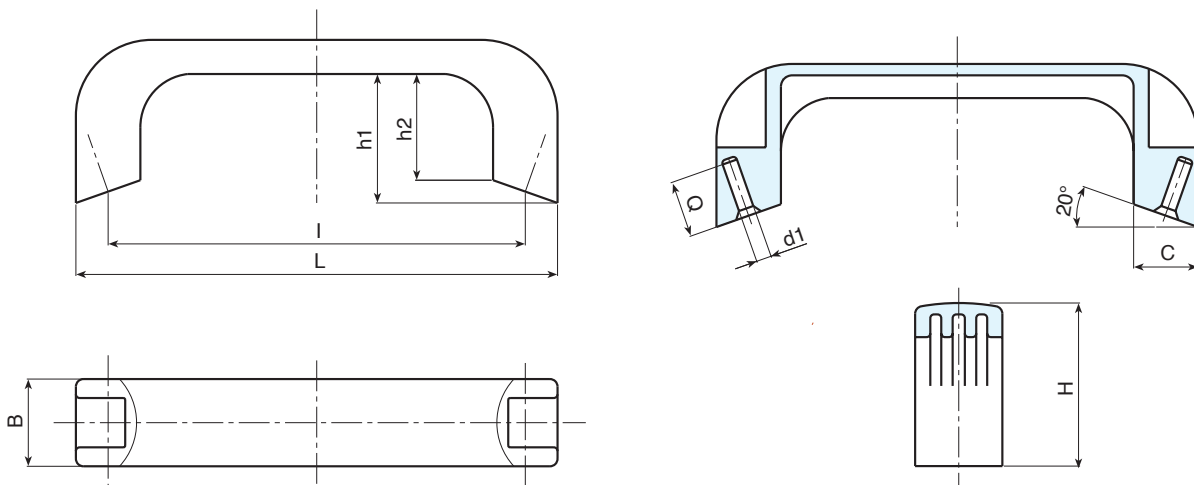
Black (RAL 9011).

Hole:

Smooth through hole obtained by moulding the plastic for self-tapping screw.

Special requests:

- Upon request and for special quantities available in the colours indicated in the chart [page].



Code	art.	L	l	B	H	h1	C	d1	Q	g
B225110.0001	B225110.TG0401CP	127	110	24	43	34	16	4	16	35