

# B227

## INCLINED HANDLE



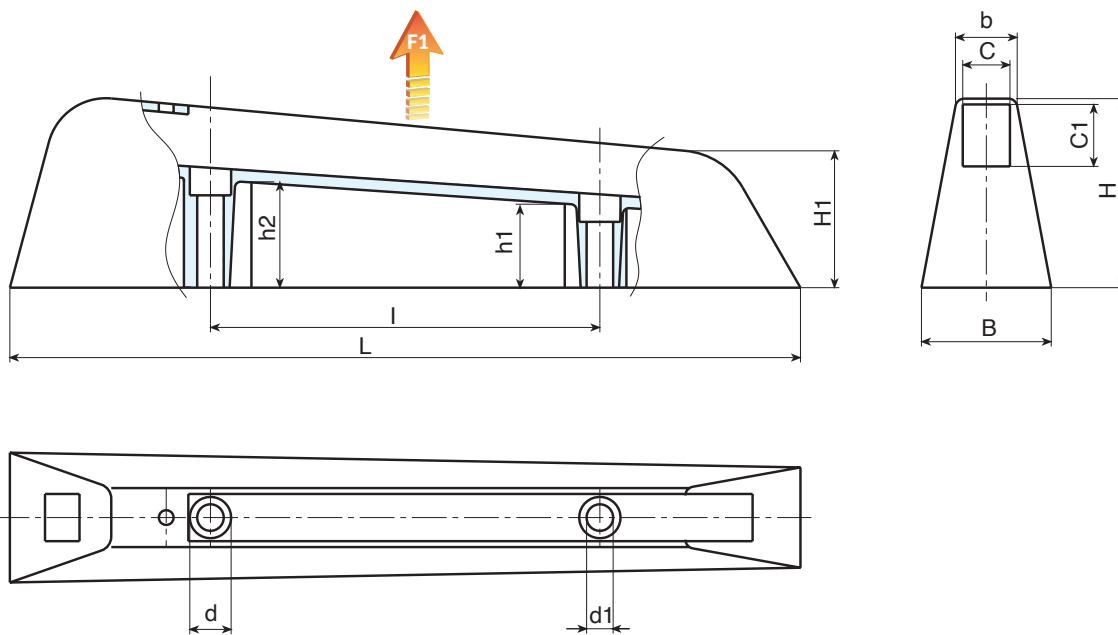
**Materials:**  
Reinforced polypropylene.

**Surface finish:**  
Satin.

**Colour:**  
Black (RAL 9011).

**Hole:**  
Smooth through hole obtained by moulding the plastic.

**Special requests:**  
• None.



Code	art.	L	I	B	b	H	H1	h1	h2	C	C1	d	d1	g	F1 (N)
B227132.0001	B227132.TG08.501PP	268	132	44	20	65	46	26	34	15.5	20.5	14	8.5	106	1540