

# B236AE

## SELF-EXTINGUISHING SOLID HANDLE WITH INSERT



# UL94 - V0

### Materials:

Self-extinguishing reinforced polyamide UL94 V0 with yellow card.  
Resistant to oils and greases.

### Surface finish:

Satin.

### Colour:

Black (RAL 9011).

### Inserts:

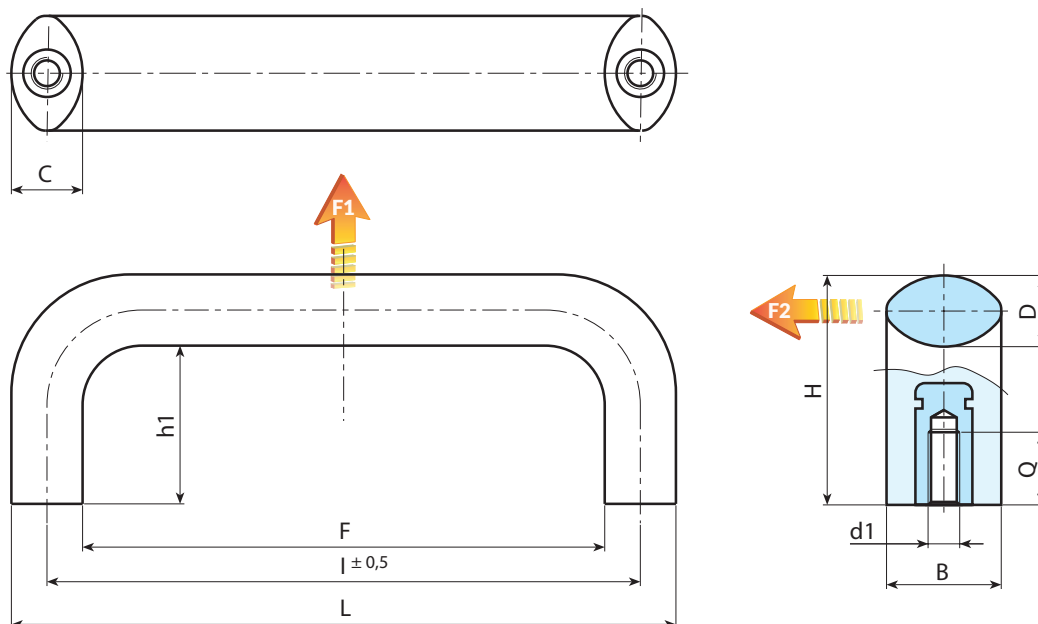
Brass insert with female threaded hole (thread tolerance 6H).

### Special requests:

- Upon request and for special quantities inserts can be supplied in different materials.



02



**UL94 V0**

Code	art.	L	I	F	B	C	D	H	h1	Q	d1 <sup>6H</sup>	g	F1 (N)	F2 (N)
B236086.0002	B236086.TM0501AE	98.5	86	73.5	20	12.5	12.5	40	28	8	M5	40	4000	1500
B236086.0005	B236086.TM0601AE	98.5	86	73.5	20	12.5	12.5	40	28	8	M6	40	4000	1500
B236094.0002	B236094.TM0501AE	106.5	94	81.5	20	12.5	12.5	40	28	8	M5	40	3300	1600
B236094.0008	B236094.TM0601AE	106.5	94	81.5	20	12.5	12.5	40	28	8	M6	40	3300	1600
B236117.0002	B236117.TM0501AE	134	117	102	25	16	16	50	34	8	M5	84	4400	1800
B236117.0006	B236117.TM0601AE	134	117	102	25	16	16	50	34	8	M6	81	4400	1800
B236117.0010	B236117.TM0801AE	134	117	102	25	16	16	50	34	13	M8	80	4400	1800
B236120.0002	B236120.TM0501AE	134	120	102	25	16	16	50	34	15	M5	84	5200	2400
B236120.0006	B236120.TM0601AE	134	120	102	25	16	16	50	34	8	M6	81	5200	2400
B236120.0009	B236120.TM0801AE	134	120	102	25	16	16	50	34	13	M8	80	5200	2400
B236132.0002	B236132.TM0501AE	148	132	116	25	16	16	50	34	15	M5	90	3700	2600
B236132.0005	B236132.TM0601AE	148	132	116	25	16	16	50	34	8	M6	88	3700	2600
B236132.0008	B236132.TM0801AE	148	132	116	25	16	16	50	34	13	M8	85	3700	2600
B236150.0002	B236150.TM0601AE	168	149,5	132	29	18	18	58	40	16	M6	123	5900	1900
B236150.0005	B236150.TM0801AE	168	149,5	132	29	18	18	58	40	13	M8	121	5900	1900
B236150.0008	B236150.TM1001AE	168	149,5	132	29	18	18	58	40	13	M10	119	5900	1900
B236179.0002	B236179.TM0801AE	197	179	161	29	18	18	58	40	13	M8	135	3800	3200
B236179.0006	B236179.TM1001AE	197	179	161	29	18	18	58	40	13	M10	133	3800	3200

