

B330

HANDLE WITH TUBE D.30



Materials:

Plastic end:

Reinforced polyamide. Resistant to oils and greases.

Tube:

Aluminum alloy 6060.

Surface finish:

Plastic end:

Satin.

Tube:

Smooth.

Colour:

Plastic end:

Black (Ral 9011).

Tube:

Version B330-99: Anodised silver.

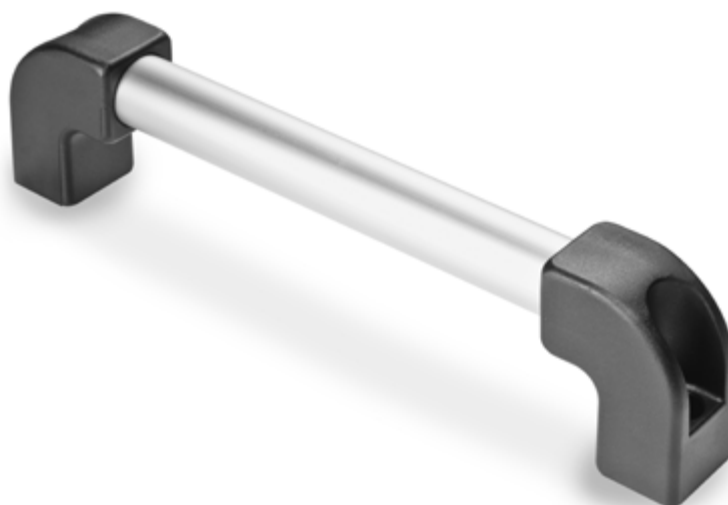
Version B330-98: Marbled black epoxy powder coating.

Hole:

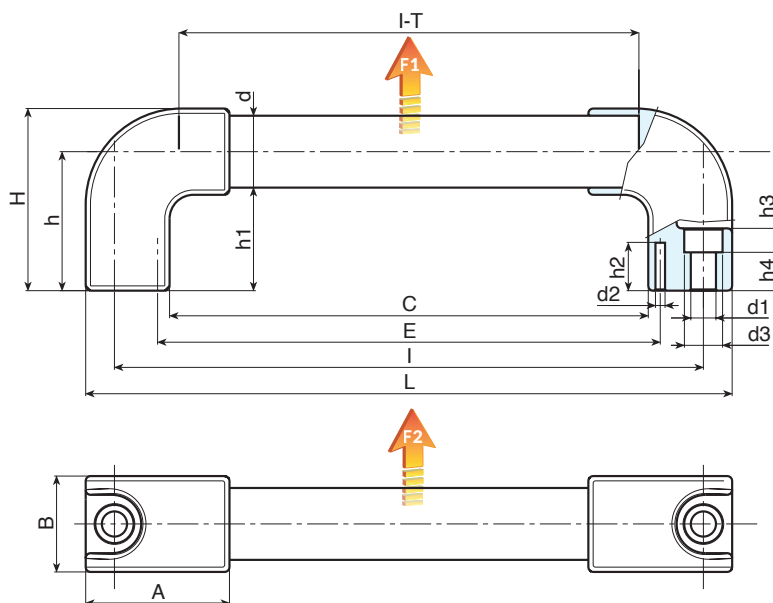
Smooth through hole obtained by moulding the plastic.

Special requests:

- Upon request and for special quantities the handle can be supplied with custom length.
- Upon request screw caps are available.
- Upon request and for special quantities available in the colours indicated in the chart [page].



B



Version B330-99: with tube colour anodised silver

Code	art.	L	I	C	E	A	B	T	H	h	h1	h4	h3	h2	d	d3	d2	d1	g	F1 (kN)	F2 (kN)
B330200.0003	B330200.TG3099	224	200	154	164	60	40	54	77	58	43	12	15	19	30	16	4	10.5	235	3,4	2,9
B330250.0003	B330250.TG3099	274	250	204	214	60	40	54	77	58	43	12	15	19	30	16	4	10.5	250	3,8	3,2
B330300.0003	B330300.TG3099	324	300	254	264	60	40	54	77	58	43	12	15	19	30	16	4	10.5	270	3,2	2,9
B330350.0003	B330350.TG3099	374	350	304	314	60	40	54	77	58	43	12	15	19	30	16	4	10.5	285	2,7	2,4
B330400.0004	B330400.TG3099	424	400	354	364	60	40	54	77	58	43	12	15	19	30	16	4	10.5	305	2,4	2,2
B330500.0003	B330500.TG3099	524	500	454	464	60	40	54	77	58	43	12	15	19	30	16	4	10.5	340	1,9	1,7
B330600.0003	B330600.TG3099	624	600	554	564	60	40	54	77	58	43	12	15	19	30	16	4	10.5	370	1,6	1,4
B330700.0003	B330700.TG3099	724	700	654	664	60	40	54	77	58	43	12	15	19	30	16	4	10.5	405	1,4	1,25

Version B330-98: with tube colour marbled black.

Code	art.	L	I	C	E	A	B	T	H	h	h1	h4	h3	h2	d	d3	d2	d1	g	F1 (kN)	F2 (kN)
B330200.0002	B330200.TG3098	224	200	154	164	60	40	54	77	58	43	12	15	19	30	16	4	10.5	235	3,4	2,9
B330250.0002	B330250.TG3098	274	250	204	214	60	40	54	77	58	43	12	15	19	30	16	4	10.5	250	3,8	3,2
B330300.0002	B330300.TG3098	324	300	254	264	60	40	54	77	58	43	12	15	19	30	16	4	10.5	270	3,2	2,9
B330350.0002	B330350.TG3098	374	350	304	314	60	40	54	77	58	43	12	15	19	30	16	4	10.5	285	2,7	2,4
B330400.0003	B330400.TG3098	424	400	354	364	60	40	54	77	58	43	12	15	19	30	16	4	10.5	305	2,4	2,2
B330500.0002	B330500.TG3098	524	500	454	464	60	40	54	77	58	43	12	15	19	30	16	4	10.5	340	1,9	1,7
B330600.0002	B330600.TG3098	624	600	554	564	60	40	54	77	58	43	12	15	19	30	16	4	10.5	370	1,6	1,4
B330700.0002	B330700.TG3098	724	700	654	664	60	40	54	77	58	43	12	15	19	30	16	4	10.5	405	1,4	1,25