

B330CIN

HANDLE WITH STAINLESS STEEL TUBE D. 30

+135°
-30°

PA6
+G.F.

UL94
HB

RoHS
COMPLIANT

INOX

Materials:

Plastic end:

Reinforced polyamide. Resistant to oils and greases.

Tube:

Stainless steel (Aisi 304).

Surface finish:

Plastic end:

Satin.

Tube:

Natural Smooth.

Colour:

Plastic end:

Black (Ral 9011).

Tube:

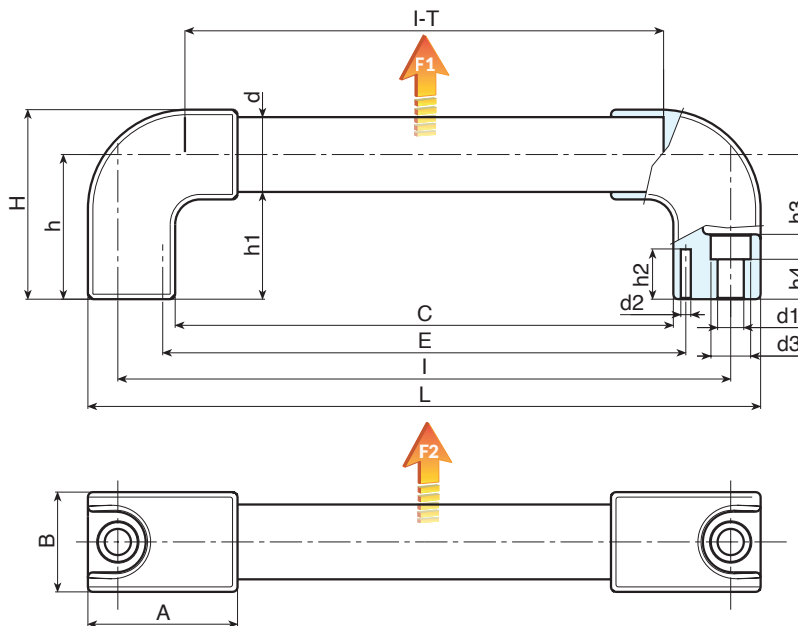
Natural.

Hole:

Smooth through hole obtained by moulding the plastic.

Special requests:

- Upon request and for special quantities the handle can be supplied with custom length.
- Upon request screw caps are available.
- Upon request and for special quantities available in the colours indicated in the chart [page].



INOX

Code	art.	L	I	C	E	A	B	T	H	h	h1	h4	h3	h2	d	d3	d2	d1	g	F1 (kN)	F2 (kN)
B330200.0001	B330200.TG3001CIN	224	200	154	164	60	40	54	77	58	43	16	11	19	30	16	4	10.5	235	3,4	2,9
B330250.0001	B330250.TG3001CIN	274	250	204	214	60	40	54	77	58	43	16	11	19	30	16	4	10.5	250	3,8	3,2
B330300.0001	B330300.TG3001CIN	324	300	254	264	60	40	54	77	58	43	16	11	19	30	16	4	10.5	270	3,2	2,9
B330350.0001	B330350.TG3001CIN	374	350	304	314	60	40	54	77	58	43	16	11	19	30	16	4	10.5	285	2,7	2,4
B330400.0001	B330400.TG3001CIN	424	400	354	364	60	40	54	77	58	43	16	11	19	30	16	4	10.5	305	2,4	2,2
B330500.0001	B330500.TG3001CIN	524	500	454	464	60	40	54	77	58	43	16	11	19	30	16	4	10.5	340	1,9	1,7
B330600.0001	B330600.TG3001CIN	624	600	554	564	60	40	54	77	58	43	16	11	19	30	16	4	10.5	370	1,6	1,4
B330700.0001	B330700.TG3001CIN	724	700	654	664	60	40	54	77	58	43	16	11	19	30	16	4	10.5	405	1,4	1,25