

# C970



## SOLID CONTROL HANDWHEEL WITH REVOLVING HANDLE AND LOCKING KNOB

### Materials:

Reinforced and stabilized polyamide. Resistant to oils and greases.

### Surface finish:

Satin.

### Handwheel and handle colour:

Black (RAL 9011).

### Central cap:

Grey polyamide (RAL 7035). 13).

### Main insert:

Galvanised steel insert with smooth through bore (tolerance H10).

### Lateral insert:

Brass insert with threaded through hole.

### Lateral handle:

Revolving handle art. M144 [page 504].

### Locking knob:

Black cylindrical knob Ral 9011 art. G793-36 with threaded stud [page 326]. Caution: the R and Q2 dimensions of the locking knob must be chosen by the customer according to the dimensions of the machinery on which the solid handwheel will be installed.

### Fixing method:

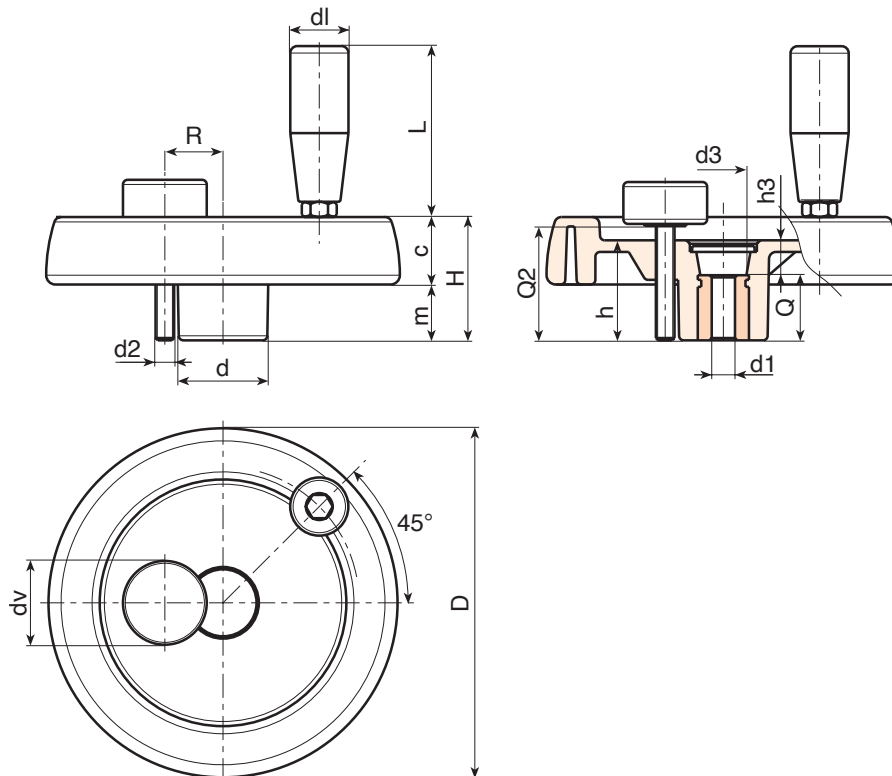
For fixing systems, or execution of keyways or square holes, please refer to the technical notes attached to the catalogue [page 966].

### Special requests:

- On request and with a minimum of 50 pieces, the inserts can be supplied with the hole d1 with H7 tolerance and black-oxide finish. Add the letters ZB to the standard code. Example: C970125.TD1001PZB.
- Upon request and for special quantities inserts can be supplied with custom hole diameter d1.
- Upon request and for special quantities inserts can be supplied in different materials/ with different coatings.



03



Code	Art.	D	H	h	d	m	c	d3	h3	R	d2	Q2	d1	L	Dm	d1 <sub>H10</sub>	Q	g
C970100.0001	C970100.TP0501P	100	39	34	30	18.5	20.5	16	10	20	M6	A.R.	20	56	16	5	24	252
C970125.0006	C970125.TP0501P	125	44	37	36	20	24	26	13	22÷25	M6	A.R.	21	65	18	5	24	410
C970150.0001	C970150.TD0801P	150	54	44	38	25	29	26	12	25÷28	M8	A.R.	21	65	22	8	32	636
C970175.0002	C970175.TD0801P	173	57	47	40	25.5	31.5	26	15	26÷36	M8	A.R.	23	76	22	8	32	812
C970200.0001	C970200.TD0801P	202	59	49	44	24	35	27	13	28÷42	M8	A.R.	25	86	28	8	36	1040
C970250.0001	C970250.TD0801P	249	68	58	59	29	39	36	22	36÷50	M8	A.R.	25	86	28	8	36	1590

Attention: For a minimum of 50 pieces the diameter d1 can be customised (hole tolerance H10 galvanised and H7 black-oxide treated).

Dm = Maximum obtainable diameter for subsequent machining (widening).

dv = 36 mm. A.R. = On request.

