

D205

TWO-SPOKE CONTROL HANDWHEEL



Materials:

Reinforced and stabilized polyamide.
Resistant to oils and greases.

Surface finish:

Satin.

Colour:

Black (RAL 9011).

Central cap:

Grey polyamide (RAL 7035). 13).

Alternative cap colours:

Orange (RAL 2004 code 02).
Blue (RAL 5015 code 07).
Yellow (RAL 1021 code 10).
Red (RAL 3000 code 16).
Green (RAL 6024 code 17).
Black (RAL 9011 code 01).

Main insert:

Galvanised steel insert with smooth through bore
(tolerance H10).

Hub:

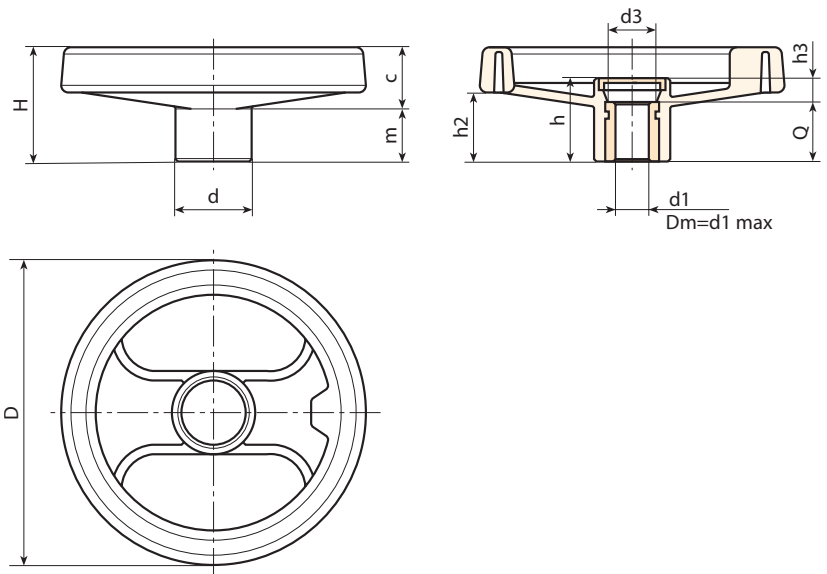
Solid Hub.
(*) Lightweight hub.

Fixing method:

For fixing systems, or execution of keyways or square holes, please refer to the technical notes attached to the catalogue [page 966].

Special requests:

- Upon request and for a minimum of 50 pieces inserts can be supplied with hole d1 with tolerance H7 and black oxide treated finish. Add letters ZB to the standard code. Example: D205130.TD1001PZB.
- Upon request and for special quantities inserts can be supplied with custom hole diameter d1.
- Upon request and for special quantities inserts can be supplied in different materials/with different coatings.
- Upon request and for special quantities the spoke handwheels are available in the colours indicated in the chart (reduced range) [page 959].



Code	Art.	D	H	h	d	m	c	h2	h3	d3	Dm	d1 _{H10}	Q	
D205080.0014	D205080.TP0501P	80	34	26	24,5	15,5	18,5	20	6	16,5	12	5	20	94
D205100.0020	D205100.TP0501P	99	43	33	28	19,5	23,5	27	9	17	16	5	24	152
D205130.0038	D205130.TP0501P	129	50	35,5	32	20	30	30	11,5	25,5	18	5	24	230
D205130.0009	D205130.TD1201P	129	50	35,5	32	20	30	30	11,5	25,5	18	12	24	205
D205160.0003	D205160.TD0801P	160	57,5	41	40	20	37,5	34	9	26	22	8	32	390
D205160.0013	D205160.TD1401P	160	57,5	41	40	20	37,5	34	9	26	22	14	32	370
D205160.0020	D205160.TD1601P	160	57,5	41	40	20	37,5	34	9	26	22	16	32	360
D205200.0002	D205200.TD0801P	198	61	39,5	51	17	44	32	7,5	27	22	8	32	630
D205200.0004	D205200.TD1001P	198	61	39,5	51	17	44	32	7,5	27	22	10	32	620
D205200.0006	D205200.TD1201P	198	61	39,5	51	17	44	32	7,5	27	22	12	32	626
D205200.0021	D205200.TD2001P	198	61	39,5	51	17	44	32	7,5	27	22	20	32	615
D205250.0001	D205250.TD0801P	252	70	48	56	23	47	38,5	12	31,5	28	8	36	990
D205250.0003	D205250.TD1201P	252	70	48	56	23	47	38,5	12	31,5	28	12	36	970
D205350.0001	D205350.TD0801P	349	80	50	67	21,5	58,5	43,5	18	35	30	(*)8	32	1490

Attention: For a minimum of 50 pieces the diameter d1 can be customised (hole tolerance H10 galvanised and H7 black-oxide treated).
Dm = Maximum obtainable diameter for subsequent machining (widening).

