

D214



THREE-ARM CONTROL HANDWHEEL WITH SMOOTH OR THREADED HOLE

Materials:

Reinforced and stabilized polyamide.
Resistant to oils and greases.

Surface finish:

Satin.

Colour:

Black (RAL 9011).

Central cap:

Grey polyamide (RAL 7035). 13).

Alternative cap colours:

Orange (RAL 2004 code 02).
Blue (RAL 5015 code 07).
Yellow (RAL 1021 code 10).
Red (RAL 3000 code 16).
Green (RAL 6024 code 17).
Black (RAL 9011 code 01).

Main insert:

Version TD:

Galvanised steel insert with smooth through bore (tolerance H10).

Version TM:

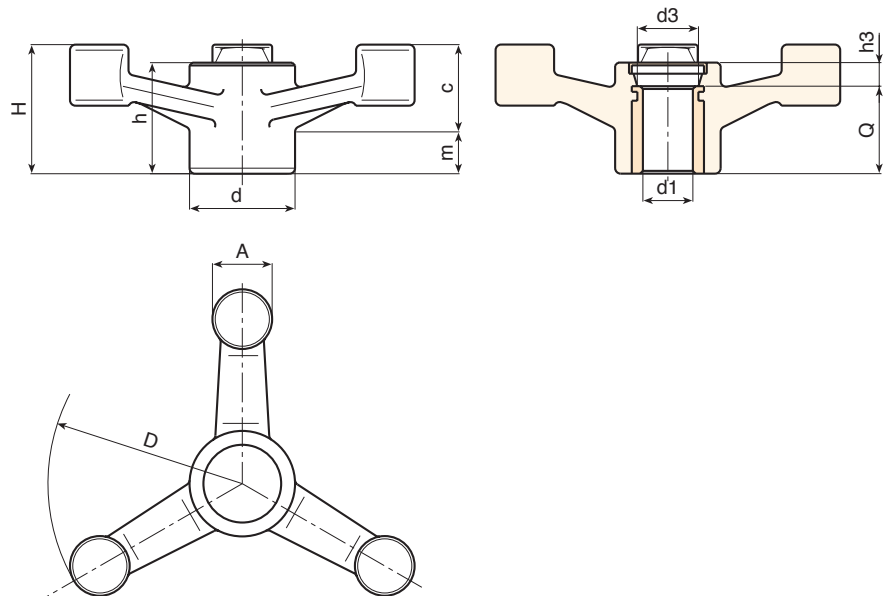
Galvanised steel insert with threaded through hole (thread tolerance 6H).

Fixing method:

For fixing systems, or execution of keyways or square holes, please refer to the technical notes attached to the catalogue [page 966].

Special requests:

- Upon request and for a minimum of 50 pieces inserts can be supplied with hole d1 with tolerance H7 and black oxide treated finish. Add letters ZB to the standard code. Example: D214140.TD1301PZB.
- Upon request and for special quantities inserts can be supplied with custom hole diameter d1.
- Upon request and for special quantities the handwheel can be supplied in Orange (RAL 2004 Code 02).
- Upon request and for special quantities inserts can be supplied in different materials/with different coatings.



Version TD with insert and smooth through bore (tolerance H10).

Code	Art.	D	H	h	d	m	c	A	h3	d3	Dm	d1 _{H10}	Q	
D214140.0005	D214140.TD0801P	137	45	39.5	38	19	26	22	7.5	26	22	8	32	200
D214140.0006	D214140.TD1201P	137	45	39.5	38	19	26	22	7.5	26	22	12	32	196
D214180.0002	D214180.TD0801P	177	56	42.5	38	20	35	23	10.5	26	22	8	32	280
D214220.0003	D214220.TD0801P	221	61	46	38	22	39	25	14	26	22	8	32	340
D214220.0010	D214220.TD1801P	221	61	46	38	22	39	25	14	26	22	18	32	325

Attention: For a minimum of 50 pieces the diameter d1 can be customised (hole tolerance H10 galvanised and H7 black-oxide treated).

Dm = Maximum obtainable diameter for subsequent machining (widening).

Version TM with insert and threaded through hole.

Code	Art.	D	H	h	d	m	c	A	h3	d3	d1 _{6H}	Q	
D214140.0019	D214140.TM1201P	137	45	39.5	38	19	26	22	7.5	26	M12	32	197
D214140.0021	D214140.TM1601P	137	45	39.5	38	19	26	22	7.5	26	M16	32	193
D214180.0015	D214180.TM1601P	177	56	42.5	38	20	35	23	10.5	26	M16	32	275
D214180.0017	D214180.TM1801P	177	56	42.5	38	20	35	23	10.5	26	M18	32	270
D214220.0013	D214220.TM1401P	221	61	46	38	22	39	25	14	26	M14	32	335
D214220.0014	D214220.TM1601P	221	61	46	38	22	39	25	14	26	M16	32	333
D214220.0018	D214220.TM1801P	221	61	46	38	22	39	25	14	26	M18	32	330

Attention: for a minimum of 50 pieces the diameter d1 can be produced with the requested dimensions.

