

E215



PA6
+G.F.

UL94
HB



CRANK HANDLE WITH THREADED INSERT AND REVOLVING HANDLE

Material:

Reinforced polyamide.
Resistant to oils and greases.

Surface finish:

Satin.

Colour:

Black (RAL 9011).

Central cap:

Grey polyamide (RAL 7035). 13.

Alternative Cap colours:

Orange (RAL 2004 code 02).
Red (RAL 3000 code 16).
Blue (RAL 5015 code 07).
Green (RAL 6024 code 17).
Yellow (RAL 1021 code 10).
Black (RAL 9011 code 01).

Inserts:

Brass insert with female threaded hole
(thread tolerance 6H).

(*) Galvanised steel insert with female
threaded hole (thread tolerance 6H).

Lateral insert:

Brass insert with threaded through hole.

Lateral handle:

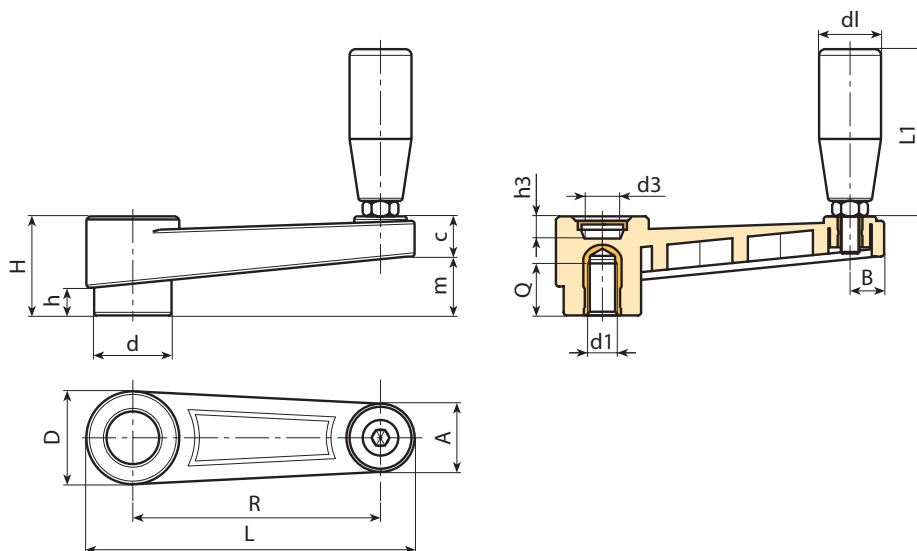
E215: Revolving handle art. M144 page (504).

E219: Revolving handle art. M129 page (505).

E220: Revolving handle art. M145 page (509).

Special requests:

- Upon request and for special quantities inserts can be supplied in different materials.
- Upon request and for special quantities available in the colours indicated in the chart [page 959].



Code	Art.	L	R	H	D	d	m	c	A	B	h	d3	h3	d1 _{6H}	Q	d1	L1	g
E215065.0002	E215065.TM0801	88,5	65	30	27,5	22	17	13	20	9,5	8	14,5	10	M8	13	19	54	67
E215065.0005	E215065.TM1001	88,5	65	30	27,5	22	17	13	20	9,5	8	14,5	10	M10	13	19	54	70
E215065.0007	E215065.TM1201	88,5	65	30	27,5	22	17	13	20	9,5	8	14,5	10	M12	13	19	54	73
E215080.0003	E215080.TM0801	107	80	33,5	32	26	20,5	13	23	11	9	19,5	9,5	M8	13	19	54	83
E215080.0004	E215080.TM1001	107	80	33,5	32	26	20,5	13	23	11	9	19,5	9,5	M10	13	19	54	87
E215080.0008	E215080.TM1201	107	80	33,5	32	26	20,5	13	23	11	9	19,5	9,5	M12	13	19	54	90
E215110.0003	E215110.TM1001	140	110	39	35	29	25	14	24	12	11	19,5	11	M10	13	21	66	135
E215110.0005	E215110.TM1201	140	110	39	35	29	25	14	24	12	11	19,5	11	M12	17	21	66	137
E215110.0007	E215110.TM1401	140	110	39	35	29	25	14	24	12	11	19,5	11	M14	17	21	66	140
E215140.0002	E215140.TM1201	175	140	49	44	35,5	32	17	27	13	15,5	24	19	M12	17	23,5	76,5	238
E215140.0005	E215140.TM1401	175	140	49	44	35,5	32	17	27	13	15,5	24	19	M14	17	23,5	76,5	223
E215140.0006	E215140.TM1601	175	140	49	44	35,5	32	17	27	13	15,5	24	19	(*) M16	17	23,5	76,5	251
E215185.0001	E215185.TM1201	223	185	55	47,5	40	38,5	16,5	27	14	17	29,5	21	M12	17	25,5	87	312
E215185.0003	E215185.TM1401	223	185	55	47,5	40	38,5	16,5	27	14	17	29,5	21	M14	17	25,5	87	320
E215185.0004	E215185.TM1601	223	185	55	47,5	40	38,5	16,5	27	14	17	29,5	21	(*) M16	17	25,5	87	331