

E224



CRANK HANDLE WITH HEXAGONAL STUD AND REVOLVING HANDLE

Material:

Reinforced polyamide.
Resistant to oils and greases.

Surface finish:

Satin.

Colour:

Black (RAL 9011).

Central cap:

Grey polyamide (RAL 7035). 13.

Alternative Cap colours:

Orange (RAL 2004 code 02).
Red (RAL 3000 code 16).
Blue (RAL 5015 code 07).
Green (RAL 6024 code 17).
Yellow (RAL 1021 code 10).
Black (RAL 9011 code 01).

Inserts:

Hexagonal stud in galvanised steel (hexagon tolerance H9).

Lateral insert:

Brass insert with threaded through hole.

Lateral handle:

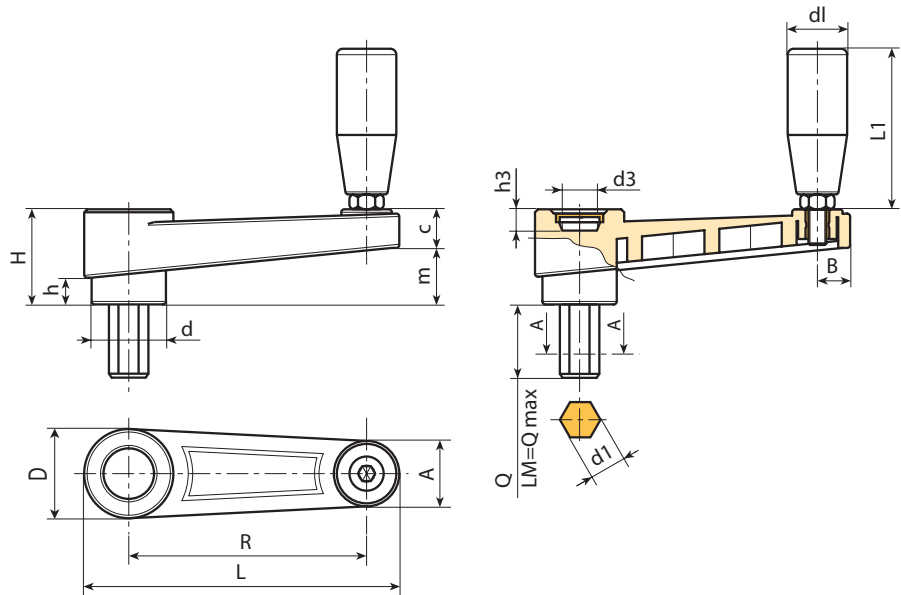
E224: Revolving handle art. M144 page ().

E226: Revolving handle art. M145 page ().

E227: Revolving handle art. M129 page ().

Special requests:

- Upon request and for special quantities inserts can be supplied with customised lengths.
- Upon request and for special quantities inserts can be supplied in different materials.
- Upon request and for special quantities available in the colours indicated in the chart [page].



Code	Art.	L	R	H	D	d	m	c	A	B	h	d3	h3	d1H10	Q	LM	dl	L1	g
-	E224065.TE06X4001	88,5	65	30	27	22	17	13	20	9,5	8	14,5	10	6	40	60	19	54	90

Customised stud length available for a minimum of 100 pieces.

LM = Maximum mouldable length.



E226



CRANK HANDLE WITH HEXAGONAL STUD AND REVOLVING HANDLE

M145

General features:

All unspecified features are identical to basic item E224.

Inserts:

Hexagonal stud in galvanised steel (hexagon tolerance H9).

Lateral handle:

Revolving handle art. M145 [page].



E

Code	Art.	L	R	H	D	d	m	c	A	B	h	d3	h3	d1 _{H10}	Q	LM	dl	L1		
-	E226065.TE06X4001	89	65	30	27,5	22	17	13	20	9,5	8	14,5	10	6	40	60	20	56	95	

Customised stud length available for a minimum of 100 pieces.

LM = Maximum mouldable length.

E227



CRANK HANDLE WITH HEXAGONAL STUD AND REVOLVING HANDLE

M129

General features:

All unspecified features are identical to basic item E224.

Inserts:

Hexagonal stud in galvanised steel (hexagon tolerance H9).

Lateral handle:

Revolving handle art. M129 [page].



Code	Art.	L	R	H	D	d	m	c	A	B	h	d3	h3	d1 _{H10}	Q	LM	dl	L1		
-	E227065.TE06X4001	89	65	30	27,5	22	17	13	20	9,5	8	14,5	10	6	40	60	20	52	-	

Customised stud length available for a minimum of 100 pieces.

LM = Maximum mouldable length.