

# E242



## CRANK HANDLE WITH SQUARE HOLE INSERT AND FOLDING HANDLE

### Material:

Reinforced polyamide.  
Resistant to oils and greases.

### Surface finish:

Satin.

### Colour:

Black (RAL 9011).

### Central cap:

Grey polyamide (RAL 7035). 13).

### Alternative Cap colours:

Orange (RAL 2004 code 02).  
Red (RAL 3000 code 16).  
Blue (RAL 5015 code 07).  
Green (RAL 6024 code 17).  
Yellow (RAL 1021 code 10).  
Black (RAL 9011 code 01).

### Inserts:

Bush with square through hole in black oxide treated steel (hole tolerance H10).

### Lateral insert:

Brass insert with threaded through hole.

### Lateral handle:

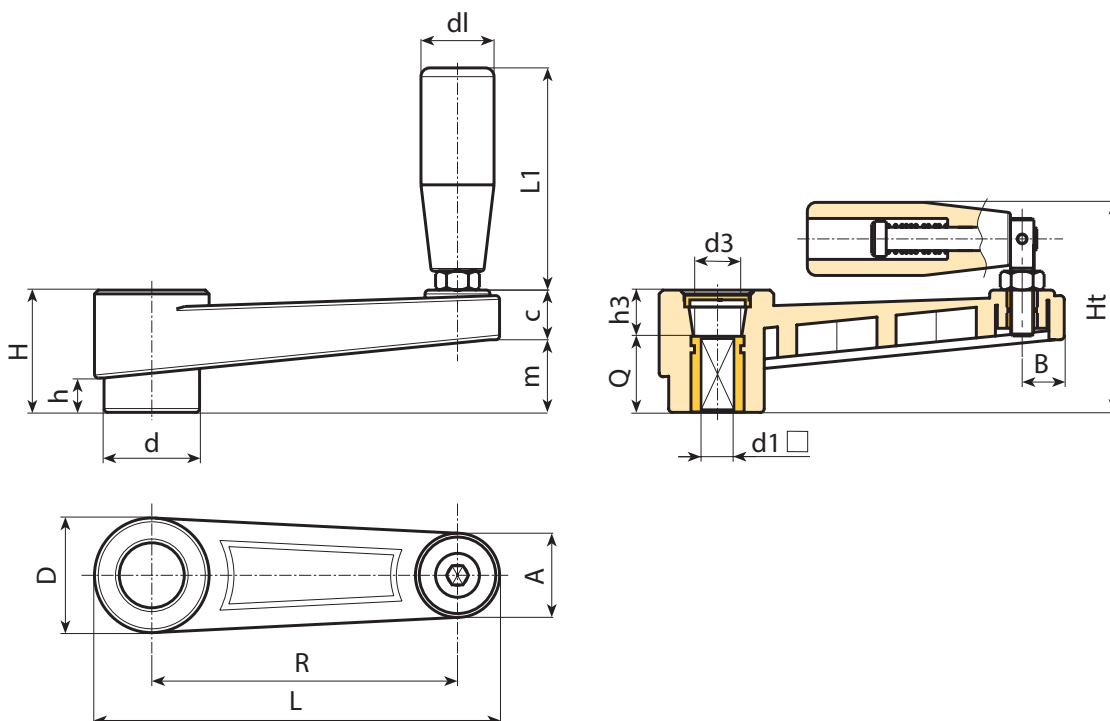
Revolving, folding handle art. M136 [page 510].

### Special requests:

- Upon request and for special quantities inserts can be supplied in different materials/with different coatings.
- Upon request and for special quantities available in the colours indicated in the chart [page 959].



05



Code	Art.	L	R	H	Ht	D	d	m	c	A	B	h	d3	h3	d1 <sub>H10</sub>	Q	dl	L1	
E242065.0001	E242065.TQ0801P	88,5	65	30	55	27,5	22	17	13	20	9,5	8	14,5	10	8	20	20	54	100
E242080.0001	E242080.TQ1001P	107	80	33,5	58	32	26	20,5	13	23	11	9	19,5	9,5	10	24	20	54	110
E242110.0001	E242110.TQ1201P	140	110	39	68	35	29	25	14	24	12	11	19,5	11	12	28	23,5	76	156
E242140.0001	E242140.TQ1401P	175	140	49	84	44	35,5	32	17	27	13	15,5	24	19	14	30	26	89	240
E242185.0001	E242185.TQ1701P	223	185	55	90	47,5	40	38,5	16,5	27	14	17	29,5	21	17	34	26	97	430