

# E330



## CRANK HANDLE WITH SQUARE HOLE AND REVOLVING HANDLE

### Material:

Reinforced polyamide.  
Resistant to oils and greases.

### Surface finish:

Satin.

### Colour:

Black (RAL 9011).

### Central cap:

Grey polyamide (RAL 7035). 13.

### Alternative Cap colours:

Orange (RAL 2004 code 02).  
Red (RAL 3000 code 16).  
Blue (RAL 5015 code 07).  
Green (RAL 6024 code 17).  
Yellow (RAL 1021 code 10).  
Black (RAL 9011 code 01).

### Inserts:

Bush with square through hole in black oxide treated steel (hole tolerance H10).

### Lateral insert:

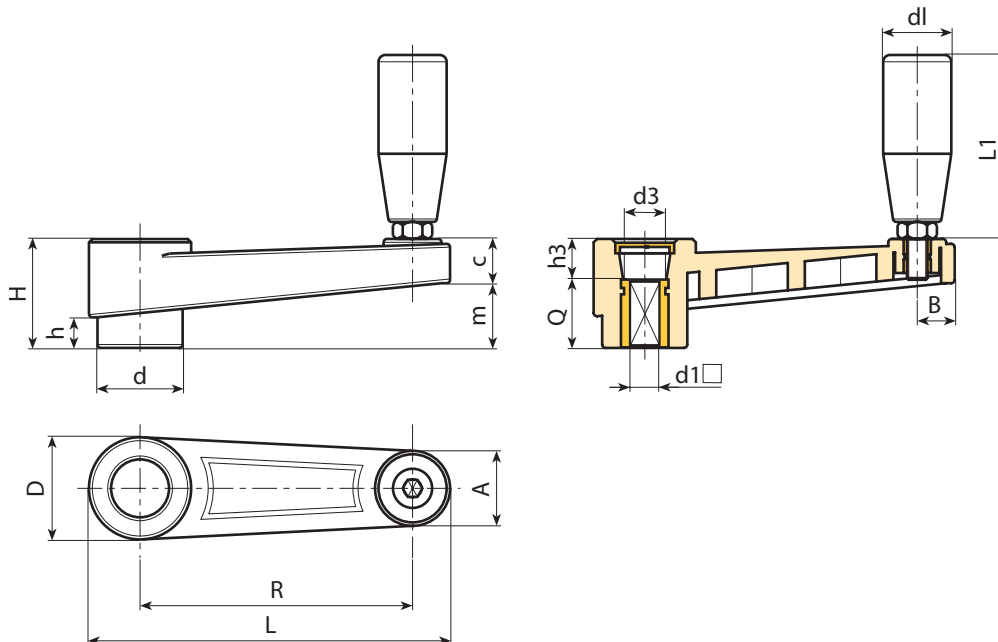
Brass insert with threaded through hole.

### Lateral handle:

E330: Revolving handle art. M144 page (.).  
E331: Revolving handle art. M145 page (.).  
E332: Revolving handle art. M129 page (.).

### Special requests:

- Upon request and for special quantities inserts can be supplied in different materials/with different coatings.
- Upon request and for special quantities available in the colours indicated in the chart [page].



Code	Art.	L	R	H	D	d	m	c	A	B	h	d3	h3	d1 <sub>H10</sub>	Q	dl	L1	g
-	E330065.TQ0601P	88,5	65	30	27,5	22	17	13	18	9,5	8	14,5	10	6	20	19	54	96
-	E330065.TQ0801P	88,5	65	30	27,5	22	17	13	18	9,5	8	14,5	10	8	20	19	54	92
-	E330080.TQ1001P	107	80	33,5	32	26	20,5	13	23	11	9	19,5	9,5	10	24	19	54	105
-	E330110.TQ1201P	140	110	39	35	29	25	14	24	12	11	19,5	11	12	28	21	66	152
-	E330140.TQ1401P	175	140	49	44	35,5	32	17	27	13	15,5	24	19	14	30	23,5	76	242
-	E330185.TQ1701P	223	185	55	47,5	40	38,5	16,5	27	14	17	29,5	21	17	34	25,5	87	385

# E331



## CRANK HANDLE WITH SQUARE HOLE AND REVOLVING HANDLE M145

### General features:

All unspecified features are identical to basic item E330.

### Inserts:

Bush with square through hole in black oxide treated steel (hole tolerance H10).

### Lateral handle:

Revolving handle art. M145 [page ].



E

Code	Art.	L	R	H	D	d	m	c	A	B	h	d3	h3	d1H10	Q	dl	L1	g
-	E331065.TQ0601P	89	65	30	27,5	22	17	13	20	9,5	8	14,5	10	6	20	20	56	111
-	E331065.TQ0801P	89	65	30	27,5	22	17	13	20	9,5	8	14,5	10	8	20	20	56	117
-	E331080.TQ1001P	107	80	33,5	32	26	20,5	13	23	11	9	19,5	9,5	10	24	20	56	140
-	E331110.TQ1201P	140	110	39	35	29	25	14	24	12	11	19,5	11	12	28	23,5	68	177
-	E331140.TQ1401P	175	140	49	44	35,5	32	17	27	13	15,5	24	19	14	30	25	77	267
-	E331185.TQ1701P	223	185	55	47,5	40	38,5	16,5	27	14	17	29,5	21	17	34	26	86	400

# E332



## CRANK HANDLE WITH SQUARE HOLE AND REVOLVING HANDLE M129

### General features:

All unspecified features are identical to basic item E330.

### Inserts:

Bush with square through hole in black oxide treated steel (hole tolerance H10).

### Lateral handle:

Revolving handle art. M129 [page ].



Code	Art.	L	R	H	D	d	m	c	A	B	h	d3	h3	d1H10	Q	dl	L1	g
-	E332065.TQ0601P	89	65	30	27,5	22	17	13	20	9,5	8	14,5	10	6	20	20	52	101
-	E332065.TQ0801P	89	65	30	27,5	22	17	13	20	9,5	8	14,5	10	8	20	20	52	107
-	E332080.TQ1001P	107	80	33,5	32	26	20,5	13	23	11	9	19,5	9,5	10	24	20	52	130
-	E332110.TQ1201P	140	110	39	35	29	22	14	24	12	11	19,5	11	12	28	23,5	63	167
-	E332140.TQ1401P	175	140	49	44	35,5	32	17	27	13	15,5	24	19	14	30	25	72	257
-	E332185.TQ1701P	223	185	55	47,5	40	38,5	16,5	27	14	17	29,5	21	17	34	26	82	390