

E518



PA6
+G.F.

UL94
HB



INDEXED CRANK HANDLE WITH THREADED INSERT AND REVOLVING HANDLE

Material:

Reinforced polyamide. Resistant to oils and greases.

Surface finish:

Satin.

Colour:

Black (RAL 9011).

Inserts:

Galvanised steel insert with female threaded hole (thread tolerance 6H).

Lateral insert:

Brass insert with threaded through hole.

Lateral handle:

E518: Revolving handle art. M144 page ().

E513: Revolving handle art. M145 page ().

E517: Revolving handle art. M129 page ().

Spring:

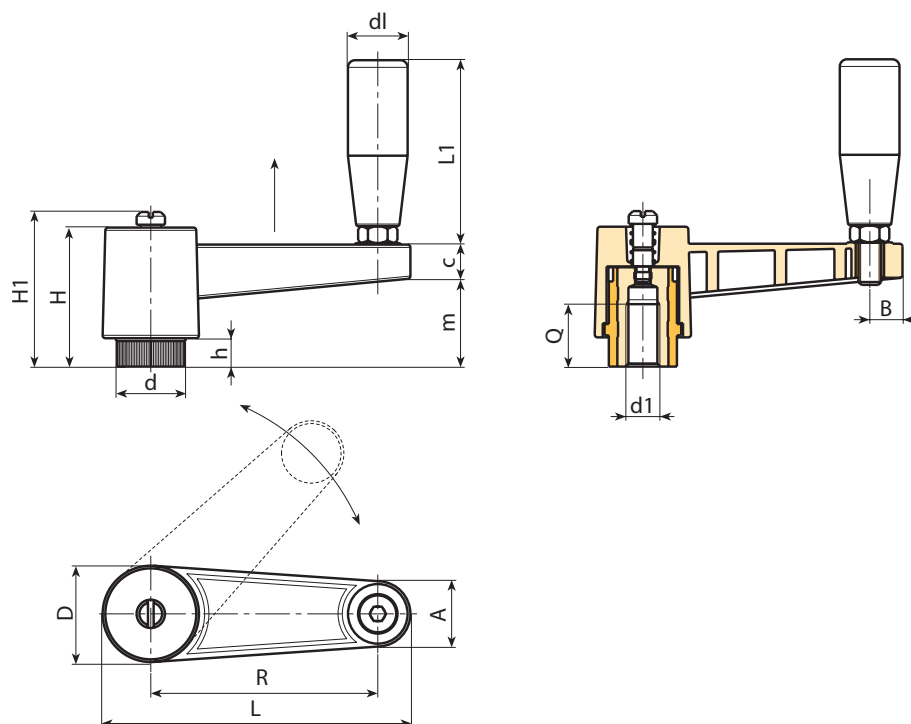
Stainless steel spring (Aisi 302).

Fixing screw:

Black oxide treated steel screw with slotted head.

Special requests:

- Upon request and for special quantities inserts can be supplied in different materials.
- Upon request and for special quantities crank handle body available in the colours indicated in the chart [page].



Code	Art.	L	R	H	D	d	m	c	A	B	h	H1	d1 _{6H}	Q	dl	L1	g
-	E518065.TM0801	88,5	65	46	27	19	30	13	17	9	10	-	M8	18	19	54	94
-	E518065.TM1001	88,5	65	46	27	19	30	13	17	9	10	-	M10	18	19	54	90
-	E518065.TM1201	88,5	65	46	27	19	30	13	17	9	10	-	M12	18	19	54	90
-	E518080.TM1201	109	80	50	34	24,5	33	13	22	12	11	54	M12	22	21	66	172
-	E518080.TM1401	109	80	50	34	24,5	33	13	22	12	11	54	M14	22	21	66	164
-	E518080.TM1601	109	80	50	34	24,5	33	13	22	12	11	54	M16	22	21	66	154
-	E518110.TM1201	139	110	50	34	24,5	33	13	22	12	11	54	M12	22	21	66	181
-	E518110.TM1401	139	110	50	34	24,5	33	13	22	12	11	54	M14	22	21	66	195
-	E518110.TM1601	139	110	50	34	24,5	33	13	22	12	11	54	M16	22	21	66	198

E513



INDEXED CRANK HANDLE WITH THREADED INSERT AND REVOLVING HANDLE M145

General features:

All unspecified features are identical to basic item E518.

Inserts:

Galvanised steel insert with female threaded hole (thread tolerance 6H).

Lateral handle:

Revolving handle art. M145 page ().



E

Code	Art.	L	R	H	D	d	m	c	A	B	h	H1	d1 _{6H}	Q	dl	L1	g
-	E513065.TM0801	88,5	65	46	27	19	30	13	17	9	10	-	M8	18	20	56	96
-	E513065.TM1001	88,5	65	46	27	19	30	13	17	9	10	-	M10	18	20	56	92
-	E513065.TM1201	88,5	65	46	27	19	30	13	17	9	10	-	M12	18	20	56	91
-	E513080.TM1201	109	80	50	34	24,5	33	13	22	12	11	54	M12	22	23,5	68	177
-	E513080.TM1401	109	80	50	34	24,5	33	13	22	12	11	54	M14	22	23,5	68	179
-	E513080.TM1601	109	80	50	34	24,5	33	13	22	12	11	54	M16	22	23,5	68	169
-	E513110.TM1201	139	110	50	34	24,5	33	13	22	12	11	54	M12	22	23,5	68	196
-	E513110.TM1401	139	110	50	34	24,5	33	13	22	12	11	54	M14	22	23,5	68	200
-	E513110.TM1601	139	110	50	34	24,5	33	13	22	12	11	54	M16	22	23,5	68	205

E517



INDEXED CRANK HANDLE WITH THREADED INSERT AND REVOLVING HANDLE M129

General features:

All unspecified features are identical to basic item E518.

Inserts:

Galvanised steel insert with female threaded hole (thread tolerance 6H).

Lateral handle:

Revolving handle art. M129 page ().



Code	Art.	L	R	H	D	d	m	c	A	B	h	H1	d1 _{6H}	Q	dl	L1	g
-	E517065.TM0801	88,5	65	46	27	19	30	13	20	9	10	-	M8	18	20	52	106
-	E517065.TM1001	88,5	65	46	27	19	30	13	20	9	10	-	M10	18	20	52	102
-	E517065.TM1201	88,5	65	46	27	19	30	13	20	9	10	-	M12	18	20	52	102
-	E517080.TM1201	109	80	50	34	24,5	33	13	23,5	12	11	54	M12	22	23,5	63	187
-	E517080.TM1401	109	80	50	34	24,5	33	13	23,5	12	11	54	M14	22	23,5	63	189
-	E517080.TM1601	109	80	50	34	24,5	33	13	23,5	12	11	54	M16	22	23,5	63	179
-	E517110.TM1201	139	110	50	34	24,5	33	13	23,5	12	11	54	M12	22	23,5	63	206
-	E517110.TM1401	139	110	50	34	24,5	33	13	23,5	12	11	54	M14	22	23,5	63	198
-	E517110.TM1601	139	110	50	34	24,5	33	13	23,5	12	11	54	M16	22	23,5	63	196