

E519



INDEXED CRANK HANDLE WITH THREADED INSERT AND FOLDING HANDLE

Material:

Reinforced polyamide. Resistant to oils and greases.

Surface finish:

Satin.

Colour:

Black (RAL 9011).

Inserts:

Galvanised steel insert with female threaded hole (thread tolerance 6H).

Lateral insert:

Brass insert with threaded through hole.

Spring:

Stainless steel spring (Aisi 302).

Fixing screw:

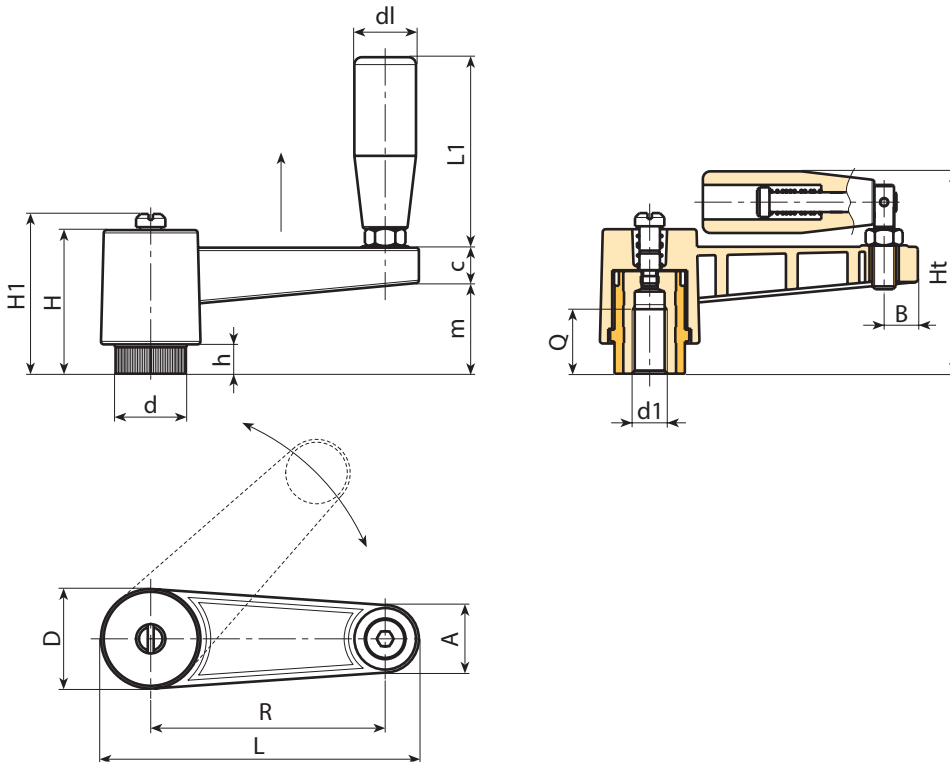
Black oxide treated steel screw with slotted head.

Lateral handle:

Revolving, folding handle art. M136 [page ()].

Special requests:

- Upon request and for special quantities inserts can be supplied in different materials.
- Upon request and for special quantities crank handle body available in the colours indicated in the chart [page 959].



Code	Art.	L	R	H	D	d	m	c	A	B	h	H1	Ht	d1 _{6H}	Q	dl	L1	
E519065.0001	E519065.TM0801	87,5	65	46	27	19	30	13	17	9	10	-	67,5	M8	18	20	54	104
E519065.0002	E519065.TM1001	87,5	65	46	27	19	30	13	17	9	10	-	67,5	M10	18	20	54	102
E519065.0003	E519065.TM1201	87,5	65	46	27	19	30	13	17	9	10	-	67,5	M12	18	20	54	100
E519080.0002	E519080.TM1201	109	80	50	34	24,5	33	13	22	12	11	54	75	M12	22	23,5	76	185
E519080.0003	E519080.TM1401	109	80	50	34	24,5	33	13	22	12	11	54	75	M14	22	23,5	76	180
E519080.0004	E519080.TM1601	109	80	50	34	24,5	33	13	22	12	11	54	75	M16	22	23,5	76	174
E519110.0002	E519110.TM1201	139	110	50	34	24,5	33	13	22	12	11	54	75	M12	22	23,5	76	199
E519110.0003	E519110.TM1401	139	110	50	34	24,5	33	13	22	12	11	54	75	M14	22	23,5	76	220
E519110.0004	E519110.TM1601	139	110	50	34	24,5	33	13	22	12	11	54	75	M16	22	23,5	76	225