

F663



3-LOBE SOLID HANDWHEEL WITH THREADED THROUGH-HOLE INSERT

Materials:

Reinforced polyamide. Resistant to oils and greases.

Surface finish:

Satin.

Colour:

Black (RAL 9011).

Inserts:

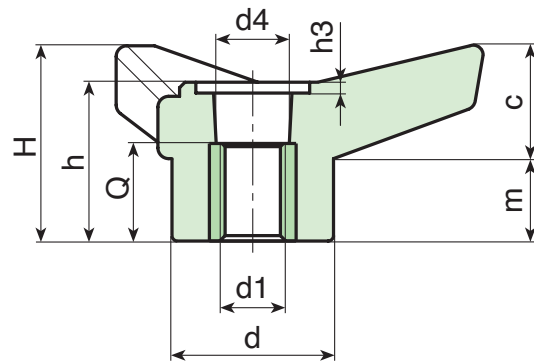
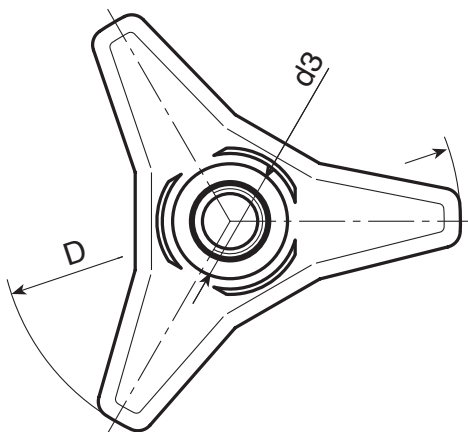
Brass insert with threaded through hole (thread tolerance 6H).
 (*) Galvanised steel insert with threaded through hole (thread tolerance 6H).

Hub:

Solid Hub

Special requests:

- Upon request and for special quantities inserts can be supplied in different materials.
- Upon request and for special quantities available in the colours indicated in the chart on page .



| Code | art. | D | H | h | d | c | m | d3 | d4 | h3 | d1 _{6H} | Q | g |
|------|----------------|-----|----|------|------|------|------|------|------|-----|------------------|------|-----|
| - | F663045.TM0601 | 45 | 21 | 18 | 16 | 11 | 10 | 11 | 10 | 1 | M6 | 12.5 | 11 |
| - | F663045.TM0801 | 45 | 21 | 18 | 16 | 11 | 10 | 11 | 10 | 1 | M8 | 12.5 | 11 |
| - | F663045.TM1001 | 45 | 21 | 18 | 16 | 11 | 10 | 11 | 10 | 1 | M10 | 12.5 | 11 |
| - | F663065.TM0801 | 65 | 28 | 23.5 | 22 | 16.5 | 11.5 | 15.5 | 13.5 | 1.5 | M8 | 15.5 | 25 |
| - | F663065.TM1001 | 65 | 28 | 23.5 | 22 | 16.5 | 11.5 | 15.5 | 13.5 | 1.5 | M10 | 15.5 | 26 |
| - | F663065.TM1201 | 65 | 28 | 23.5 | 22 | 16.5 | 11.5 | 15.5 | 13.5 | 1.5 | M12 | 15.5 | 28 |
| - | F663085.TM0801 | 85 | 37 | 30.5 | 30 | 21 | 16 | 21 | 16 | 2 | M8 | 13.5 | 50 |
| - | F663085.TM1001 | 85 | 37 | 30.5 | 30 | 21 | 16 | 21 | 16 | 2 | M10 | 13.5 | 52 |
| - | F663085.TM1201 | 85 | 37 | 30.5 | 30 | 21 | 16 | 21 | 16 | 2 | M12 | 13.5 | 52 |
| - | F663105.TM1001 | 105 | 46 | 37.5 | 35 | 26 | 19 | 25 | 23.5 | 2 | M10 | 23 | 88 |
| - | F663105.TM1201 | 105 | 46 | 37.5 | 35 | 26 | 19 | 25 | 23.5 | 2 | M12 | 23 | 88 |
| - | F663105.TM1401 | 105 | 46 | 37.5 | 35 | 26 | 19 | 25 | 23.5 | 2 | M14 | 21 | 91 |
| - | F663105.TM1601 | 105 | 46 | 37.5 | 35 | 26 | 19 | 25 | 23.5 | 2 | (*)M16 | 21 | 108 |
| - | F663125.TM1201 | 125 | 54 | 44 | 42.5 | 31 | 23 | 28.5 | 26 | 2 | M12 | 31 | 152 |
| - | F663125.TM1401 | 125 | 54 | 44 | 42.5 | 31 | 23 | 28.5 | 26 | 2 | M14 | 31 | 160 |
| - | F663125.TM1601 | 125 | 54 | 44 | 42.5 | 31 | 23 | 28.5 | 26 | 2 | (*)M16 | 31 | 180 |
| - | F663125.TM1801 | 125 | 54 | 44 | 42.5 | 31 | 23 | 28.5 | 26 | 2 | (*)M18 | 31 | 186 |