

G731



4-LOBE HANDWHEEL WITH THREADED THROUGH INSERT

Materials:

Reinforced polyamide. Resistant to oils and greases.

Surface finish:

Satin.

Colour:

Black (RAL 9011).

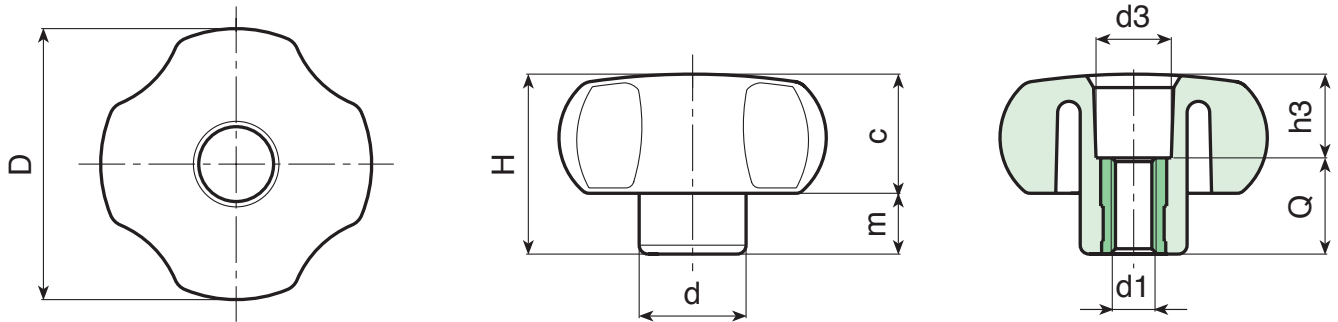
Inserts:

Brass insert with threaded through hole (thread tolerance 6H).

(*) Galvanised steel insert with threaded through hole (thread tolerance 6H).

Special requests:

- Upon request and for special quantities inserts can be supplied in different materials.
- Upon request and for special quantities available in the colours indicated in the chart [page].



Code	art.	D	H	d	c	m	d3	h3	d1 _{6H}	Q	g
-	G73120.TM0401	21	14	11	8.5	5.5	8	4.5	M4	9.5	4
-	G73120.TM0501	21	14	11	8.5	5.5	8	7.5	M5	6.5	5
-	G73120.TM0601	21	14	11	8.5	5.5	8	7.5	M6	6.5	5
-	G73125.TM0401	26	16	12	10	6	9	7.5	M8	8.5	5
-	G73125.TM0501	26	16	12	10	6	9	9.5	M5	6.5	6
-	G73125.TM0601	26	16	12	10	6	9	9.5	M6	6.5	6
-	G73125.TM0801	26	16	12	10	6	10.5	1.5	M8	14.5	10
-	G73130.TM0501	30	23	15	13.5	9.5	12	8.5	M5	14.5	11
-	G73130.TM0601	30	23	15	13.5	9.5	12	8.5	M6	14.5	11
-	G73130.TM0801	30	23	15	13.5	9.5	12	8.5	M8	14.5	12
-	G73130.TM1001	30	23	15	13.5	9.5	12	8.5	M10	14.5	13
-	G73140.TM0601	40.5	29.5	15.5	18.5	11	13	11.5	M6	18	21
-	G73140.TM0801	40.5	29.5	15	18.5	11	13	11.5	M8	18	21
-	G73140.TM1001	40.5	29.5	17.5	18.5	11	13	11.5	M10	18	23
-	G73140.TM1201	40.5	29.5	21	18.5	11	13	11.5	M12	18	26
-	G73150.TM0601	49	32	20.5	21.5	11	13.5	14.5	M6	18	37
-	G73150.TM0801	49	32	20.5	21.5	11	13.5	14.5	M8	18	38
-	G73150.TM1001	49	32	20.5	21.5	11	13.5	14.5	M10	18	39
-	G73150.TM1201	49	32	20.5	21.5	11	13.5	14.5	M12	18	40
-	G73160.TM0801	59	40	23	25	15	20	22	M8	18	54
-	G73160.TM1001	59	40	23	25	15	20	22	M10	18	55
-	G73160.TM1201	59	40	23	25	15	20	22	M12	18	55
-	G73160.TM1401	59	40	23	25	15	20	22	M14	18	56
-	G73180.TM1001	79	41	30	24	17	20	23	M10	18	82
-	G73180.TM1201	79	41	30	24	17	20	23	M12	18	79
-	G73180.TM1401	79	41	30	24	17	20	23	M14	18	80
-	G73180.TM1601	79	41	30	24	17	21	15	(*)M16	26	102