

# G791

## CYLINDRICAL HANDWHEEL WITH THREADED INSERT



### Materials:

Reinforced polyamide. Resistant to oils and greases.

### Surface finish:

Satin.

### Colour:

Black (RAL 9011).

### Inserts:

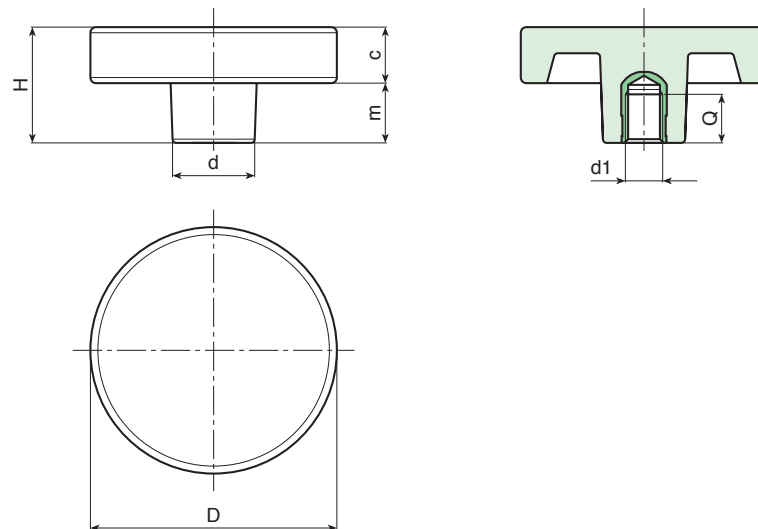
Brass insert with female threaded hole (thread tolerance 6H).

### Special requests:

- Upon request and for special quantities inserts can be supplied in different materials.
- Upon request and for special quantities available in the colours indicated in the chart [page ].



G



Code	art.	D	H	d	c	m	d1 <sub>6H</sub>	Q	g
-	G79136.TM0601	36	17	18	16	1	M6	10	18
-	G79136.TM0801	36	17	18	16	1	M8	15	18
-	G79136.TM1001	36	17	18	16	1	M10	14	19
-	G79150.TM0801	50	30	22	15	15	M8	15	35
-	G79150.TM1001	50	30	22	15	15	M10	14	36
-	G79150.TM1201	50	30	22	15	15	M12	18	40
-	G79166.TM0801	66	30	22	15	15	M8	15	52
-	G79166.TM1001	66	30	22	15	15	M10	14	55
-	G79166.TM1201	66	30	22	15	15	M12	18	58
-	G79166.TM1401	66	30	22	15	15	M14	19	60