

G793

CYLINDRICAL HANDWHEEL WITH THREADED STUD



Materials:

Reinforced polyamide.
Resistant to oils and greases.

Surface finish:

Satin.

Colour:

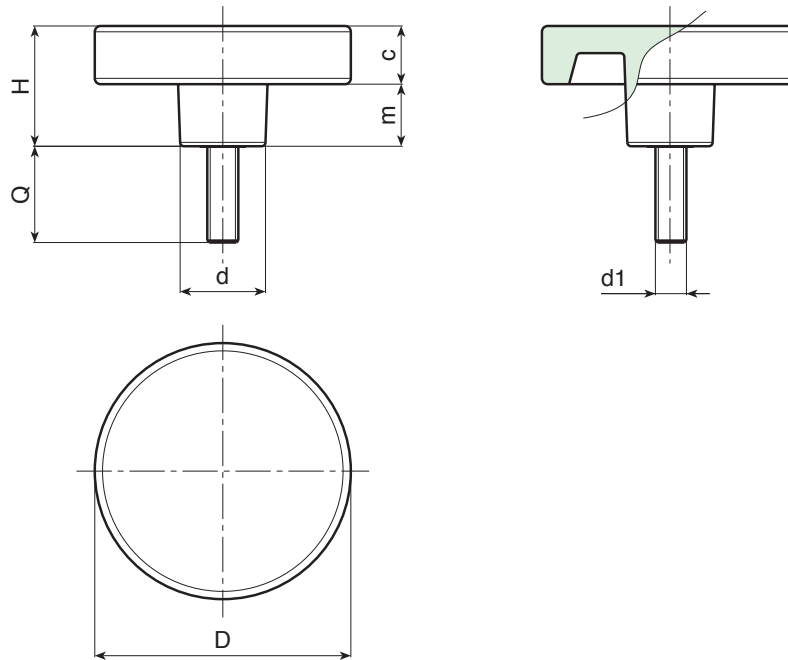
Black (RAL 9011).

Inserts:

Galvanised steel threaded stud (thread tolerance 6g).

Special requests:

- Upon request and for special quantities inserts can be supplied with customised lengths.
- Upon request and for special quantities inserts can be supplied in different materials.
- Upon request and for special quantities available in the colours indicated in the chart [page].



Code	art.	D	H	d	c	m	LM	d1 _{6g}	Q	
-	G79336.TM06X3001	36	17	18	16	1	50	M6	30	20
-	G79336.TM08X3001	36	17	18	16	1	50	M8	30	27
-	G79336.TM10X4001	36	17	18	16	1	50	M10	40	42
-	G79350.TM08X2501	50	30	22	15	15	60	M8	25	44
-	G79350.TM10X2501	50	30	22	15	15	60	M10	25	51
-	G79350.TM12X3001	50	30	22	15	15	60	M12	30	80
-	G79366.TM08X1501	65	30	22	15	15	60	M8	15	58
-	G79366.TM10X5001	65	30	22	15	15	60	M10	50	80
-	G79366.TM12X2501	65	30	22	15	15	60	M12	25	97

LM = Maximum mouldable length.
Customised stud lengths available for a minimum of 150 pieces.