

# G799

## ELONGATED KNOB WITH THREADED STUD



### Materials:

Reinforced polyamide.  
Resistant to oils and greases.

### Surface finish:

Satin.

### Colour:

Black (RAL 9011).

### Inserts:

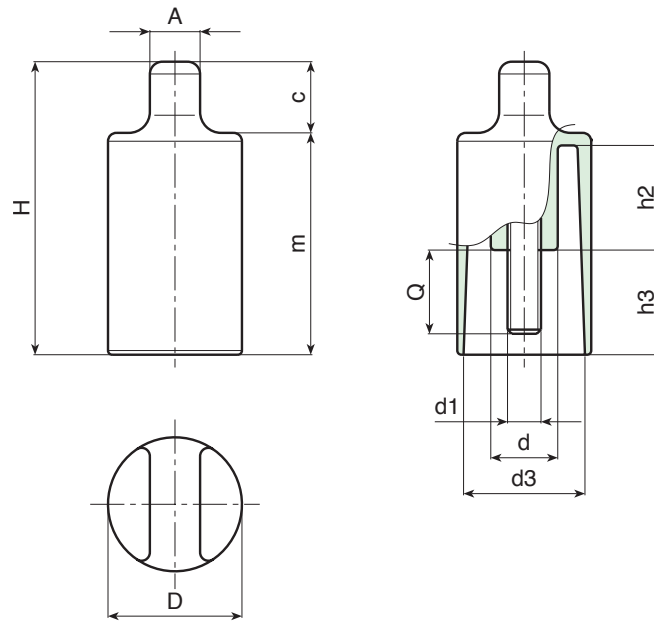
Galvanised steel threaded stud (thread tolerance 6g).

### Special requests:

- Upon request and for special quantities inserts can be supplied in different materials.
- Upon request and for special quantities available in the colours indicated in the chart [page].



G



Code	art.	D	H	d	A	c	m	h2	h3	d3	d1 <sub>6g</sub>	Q	g
-	G79932.TM06X1601	32	69	12	12	15	54	25	26	28	M6	16	40
-	G79932.TM08X1601	32	69	12	12	15	54	25	26	28	M8	16	48