

H172



KNURLED KNOB WITH SLOT END AND THREADED STUD

Materials:

Reinforced polyamide.
Resistant to oils and greases.

Surface finish:

Satin.

Colour:

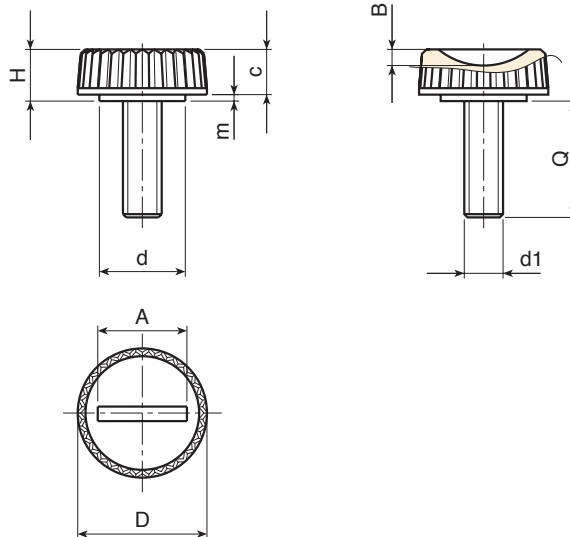
Black (RAL 9011).

Inserts:

Galvanised steel threaded stud (thread tolerance 6g).

Special Requests:

- Upon request and for special quantities inserts can be supplied with customised lengths.
- Upon request and for special quantities inserts can be supplied in different materials.
- Upon request and for special quantities available in the colours indicated in the chart [page].



Code	art.	D	H	d	m	c	A	B	LM	d1 _{6g}	Q	g
H17220.0003	H17220.TM06X1501	20	8	13,5	1	7	14	2,5	39	M6	15	7

LM = maximum mouldable length.
Threaded stud length on request, with a minimum quantity of 250 pieces.