

H753



KNURLED SOLID HANDWHEEL WITH THREADED STUD

Materials:

Reinforced polyamide.
Resistant to oils and greases.

Surface finish:

Satin.

Colour:

Black (RAL 9011).

Inserts:

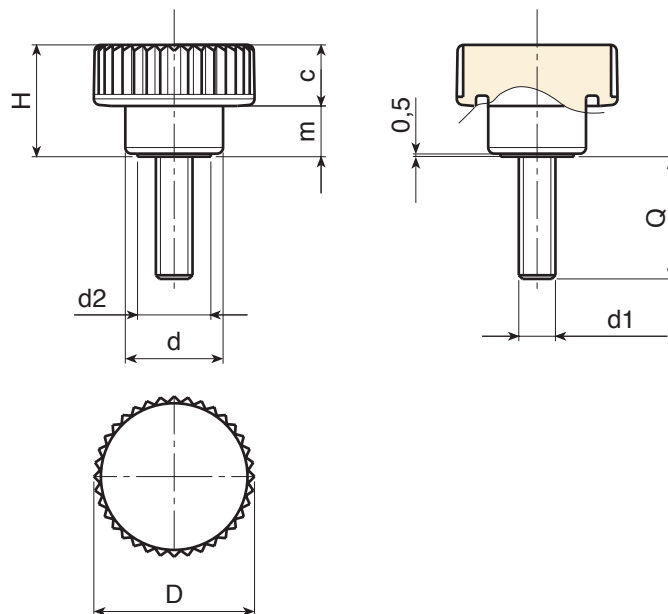
Galvanised steel threaded stud (thread tolerance 6g).

Special Requests:

- Upon request and for special quantities inserts can be supplied with customised lengths.
- Upon request and for special quantities inserts can be supplied in different materials.
- Upon request and for special quantities available in the colours indicated in the chart [page].



H



Code	art.	D	H	d	m	c	d2	LM	d1 _{6g}	Q	
-	H18015.BM0501	26	18	16	8.5	9.5	12	50	M5	20	10
-	H18015.BM0501	26	18	16	8.5	9.5	12	50	M6	20	13
-	H18015.BM0501	26	18	16	8.5	9.5	12	50	M6	25	14
-	H18015.BM0501	26	18	16	8.5	9.5	12	50	M8	20	20
-	H18015.BM0501	26	18	16	8.5	9.5	12	50	M8	30	22

LM = maximum mouldable length.
Threaded stud length on request, with a minimum quantity of 250 pieces.