

# I112

## CONICAL KNOB WITH THREADED STUD



### Materials:

Reinforced polyamide.  
Resistant to oils and greases.

### Surface finish:

Satin.

### Colour:

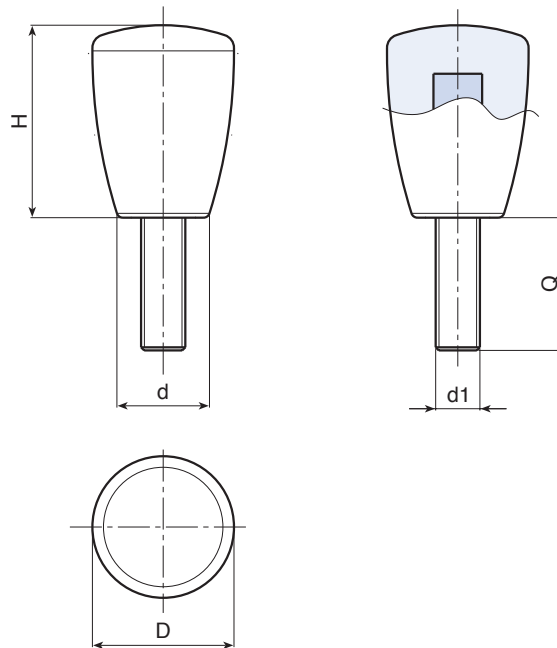
Black (RAL 9011).

### Inserts:

Galvanised steel threaded stud (thread tolerance 6g).

### Special requests:

- Upon request and for special quantities inserts can be supplied with customised lengths.
- Upon request and for special quantities inserts can be supplied in different materials.
- Upon request and for special quantities available in the colours indicated in the chart (ATTENTION: reduced range for measures marked (\*)) [page ].



Code	art.	D	H	d	LM	d1 <sub>6g</sub>	Q	g
I11221.0001	I11221.TM04X1601	21	28	13	65	M4	16	16
I11221.0006	I11221.TM06X1601	21	28	13	65	M6	16	18
I11225.0010	I11225.TM08X1601	25	34	17	70	M8	16	20
I11225.0013	I11225.TM10X2001	25	34	17	70	M10	20	24
I11232.0006	I11232.TM08X3001	32	43	21	60	M8	30	48

LM = maximum mouldable length.  
Threaded stud length on request, with a minimum quantity of 250 pieces.