

L250CIN

FULL STAINLESS STEEL WING NUT WITH FEMALE THREADED HOLE



INOX

Materials:

Precision-cast stainless steel, (Aisi 304).

Surface finish:

Satin.

Colour:

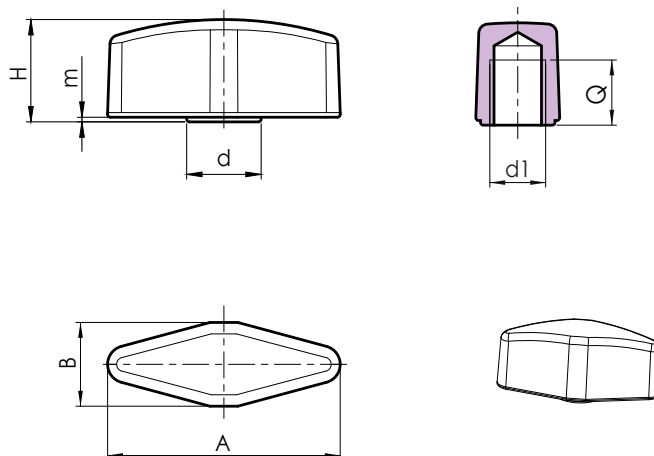
Natural

Hole:

Female threaded hole, obtained by further processing (thread tolerance 6H).

Special Requests:

- Upon request and for special quantities the wing nut can be supplied in Aisi 316 stainless steel.



Code	Art.	A	B	H	m	d	d1 _{6H}	Q	g
-	L25025.HM06CIN	25	9	11	0,5	8	M6	6	8
-	L25030.HM08CIN	30	11	13.5	0,5	10	M8	8	16
-	L25036.HM10CIN	36	13	15.5	0,5	12	M10	9	27