

O460

HINGE WITH ADJUSTABLE FRICTION AND THROUGH HOLE



Materials:

Reinforced polyamide.
Resistant to oils and greases.

Surface finish:

Satin.

Colour:

Black (RAL 9011).

Inserts:

- (4) Galvanised steel pin.
- (1) Stainless steel friction adjusting screw (Aisi 304).
- (2) Stainless steel nut for adjusting screw (Aisi 304).
- (3) Pivot pin cap in PA6.

Hole:

Through hole obtained by moulding the plastic for fixing screw
(O460032=M04 O460047=M06).

Adjusting the friction device:

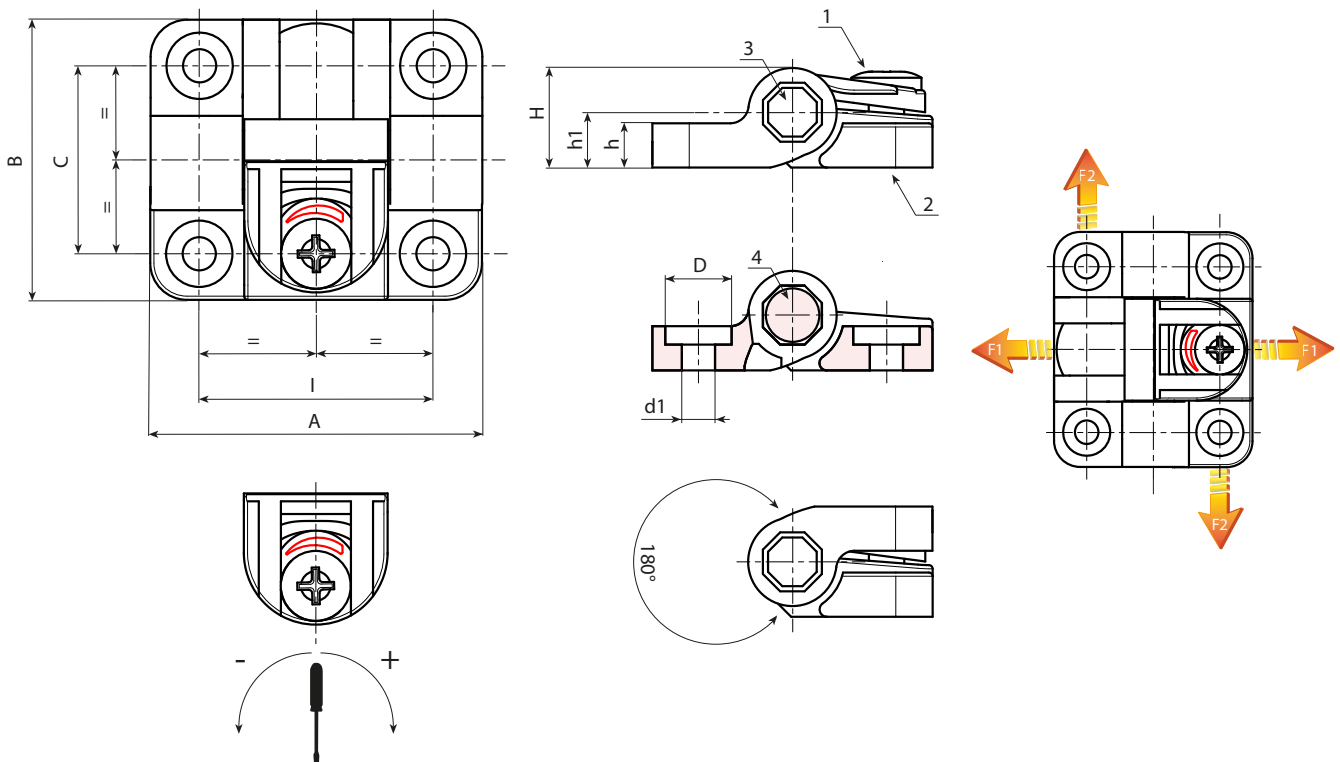
Using a screw driver to turn the adjusting screw (1), the friction can be set to a maximum of:

O460032: 0.8 Nm.

O460047: 4 Nm.

Special Requests:

- None.



Code	art.	I	C	A	B	H	h	h1	D	d1	g	F1 (N)	F2 (N)
-	O460032.TG04.501	32	25,5	45	38	13,5	6	7,5	9	4,5 (M4)	17	700	1400
-	O460047.TG06.501	47,5	38	63,5	58	20,5	8,5	11,5	12,5	6,5 (M6)	47	1500	2250