

O470



DETENT HINGE WITH PRESET POSITIONS AND HOLE COVER CAP

Materials:

Reinforced polyamide.
Resistant to oils and greases.

Surface finish:

Satin.

Colour:

Black (RAL 9011).

Inserts:

Galvanised steel pin;
Stainless steel thrust and lock springs (Aisi 302);
(1) Pin cap in PA6.
(2) Hole cover cap in reinforced PA6.

Hole:

Through hole obtained by moulding the plastic, for screw M05.

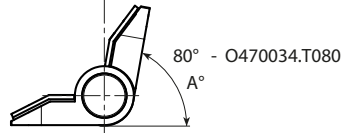
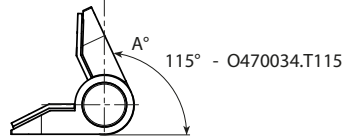
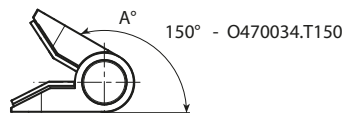
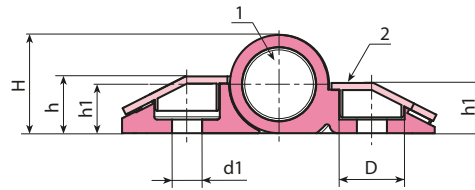
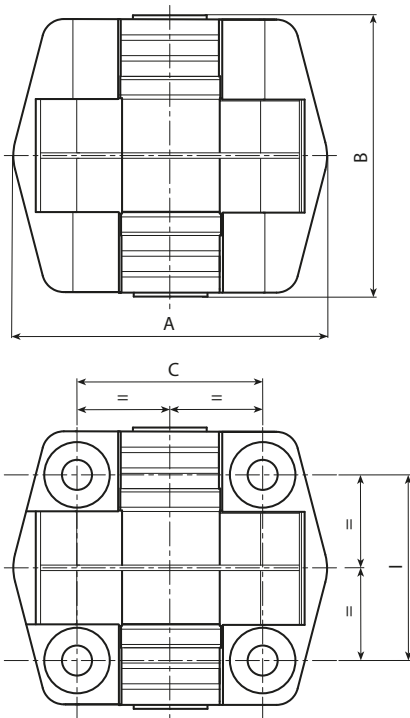
Preset positions:

The springs that act on the pivot pin have three torque calibrations: 0.7 Nm, 1.1 Nm and 1.7 Nm. The preset detent positions are: 80° - 115° - 150°.

Attention: a version of the hinge without springs with free movement to 180° is also available (code O470034.TG5.501).

Special Requests:

- None.



Code	art.	I / C	A°	Nm	A	B	H	h	h1	D	d1	g
-	O470034.TG5.501	34	180°	-	57	51	18	10,5	9	10,5	5,5	43
-	O47034.T080G5.501N0.7	34	80°	0,7	57	51	18	10,5	9	10,5	5,5	43
-	O47034.T080G5.501N1.1	34	80°	1,1	57	51	18	10,5	9	10,5	5,5	43
-	O47034.T080G5.501N1.7	34	80°	1,7	57	51	18	10,5	9	10,5	5,5	43
-	O47034.T115G5.501N0.7	34	115°	0,7	57	51	18	10,5	9	10,5	5,5	43
-	O47034.T115G5.501N1.1	34	115°	1,1	57	51	18	10,5	9	10,5	5,5	43
-	O47034.T115G5.501N1.7	34	115°	1,7	57	51	18	10,5	9	10,5	5,5	43
-	O47034.T150G5.501N0.7	34	150°	0,7	57	51	18	10,5	9	10,5	5,5	43
-	O47034.T150G5.501N1.1	34	150°	1,1	57	51	18	10,5	9	10,5	5,5	43
-	O47034.T150G5.501N1.7	34	150°	1,7	57	51	18	10,5	9	10,5	5,5	43