

O500



REMOVABLE FLAT ZAMAK HINGE WITH THREADED STUD

Materials:

(1) Die-cast zamak alloy (zinc, aluminium and copper alloy).

Surface finish:

Colour:

(01) Black epoxy powder coated (RAL 9011).
(Z) Standard blue galvanising.

Inserts:

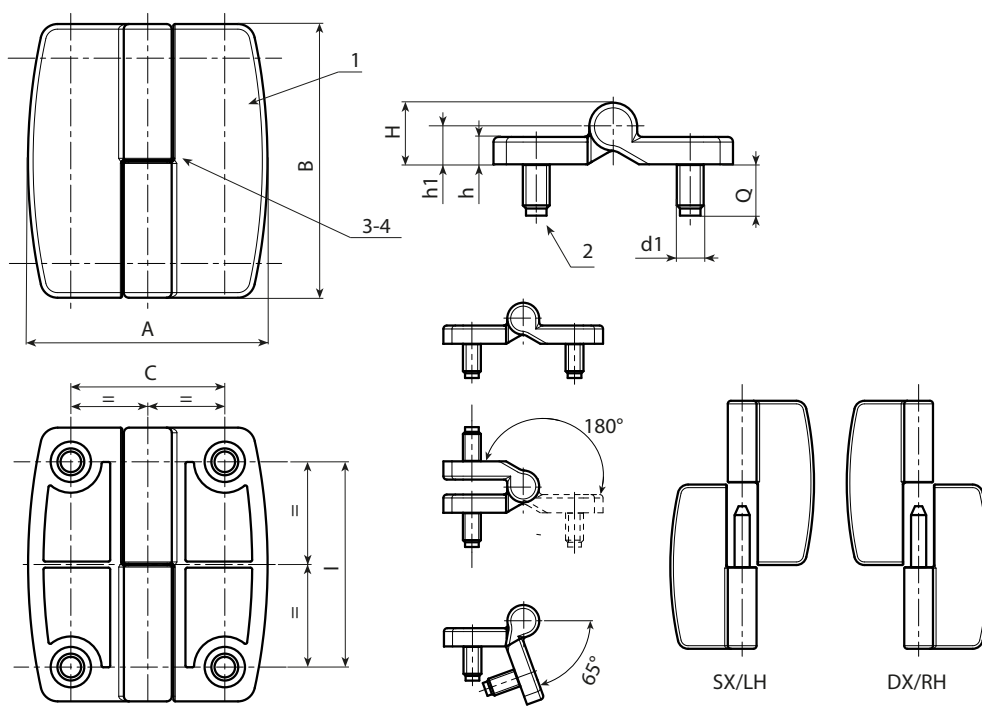
(2) Galvanised steel threaded stud (thread tolerance 6g).
(3) Stainless steel hinge pivot pin (Aisi 304).
(4) Stainless steel separating washer (Aisi 304) inserted between the two knuckles.

Assembly:

The hinge can be supplied for mounting doors that swing open to the right (DX/RH - enter the letter D at the end of the code); or for doors that swing open to the left (SX/LH - enter the letter S at the end of the code).

Special Requests:

- None.



Black coated version code 01, final letter S at the end for Left version - final letter D for door opening to the right.

Code	Art.	C	I	A	B	h	H	h1	d1 _{6g}	Q	
-	O500045.ZM08X1401D	45	60	70	80	8	18	11	M8	15	281
-	O500045.ZM08X1401S	45	60	70	80	8	18	11	M8	15	281

Galvanised version code Z, final letter S at the end for Left version - final letter D for door opening to the right.

Code	Art.	C	I	A	B	h	H	h1	d1 _{6g}	Q	
-	O500045.ZM08X14ZD	45	60	70	80	8	18	11	M8	15	281
-	O500045.ZM08X14ZS	45	60	70	80	8	18	11	M8	15	281