

# O515



C20



## BASIC PUNCHED STEEL HINGE WITH THROUGH HOLES

### Materials:

(1) Steel punched and bent.

### Surface finish:

### Colour:

(01) Black epoxy powder coated (RAL 9011).

(Z) Standard blue galvanising.

### Inserts:

(3) Stainless steel hinge pivot pin (Aisi 304).

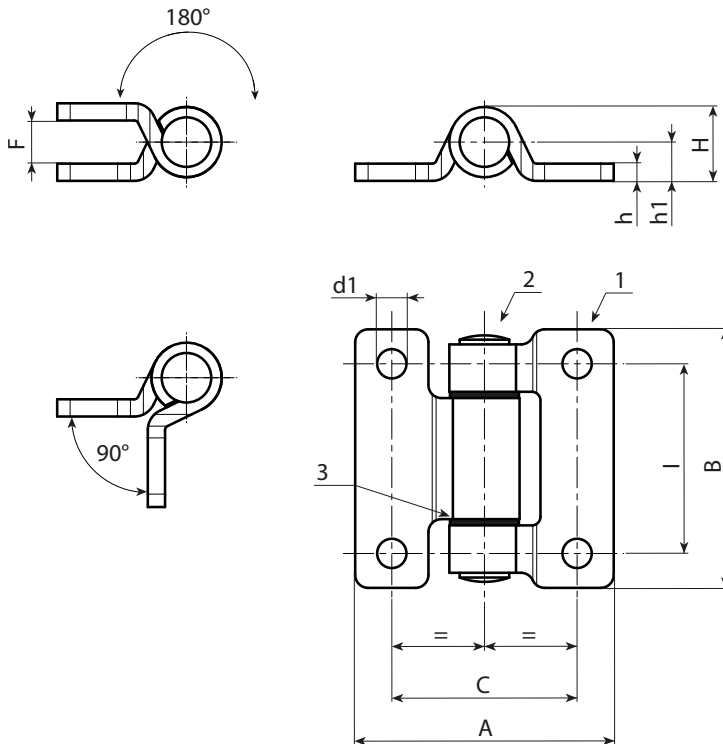
(4) Natural PA6 separating washer inserted between the two knuckles.

### Holes:

Through holes obtained by punching.

### Special Requests:

- None.



### Black coated version code 01 ending.

Code	Art.	C	I	A	B	F	h	H	h1	d1	
-	O515040.VG06.501	40	40	60	60	10	4	17	9	6,8	143

### Galvanised version code Z ending.

Code	Art.	C	I	A	B	F	h	H	h1	d1	
-	O515040.VG06.5Z	40	40	60	60	10	4	17	9	6,8	143