

P203



MOUNTING FOOT WITH REVOLVING THREADED STUD

Materials:

High density polyethylene.

Surface finish:

Satin.

Colour:

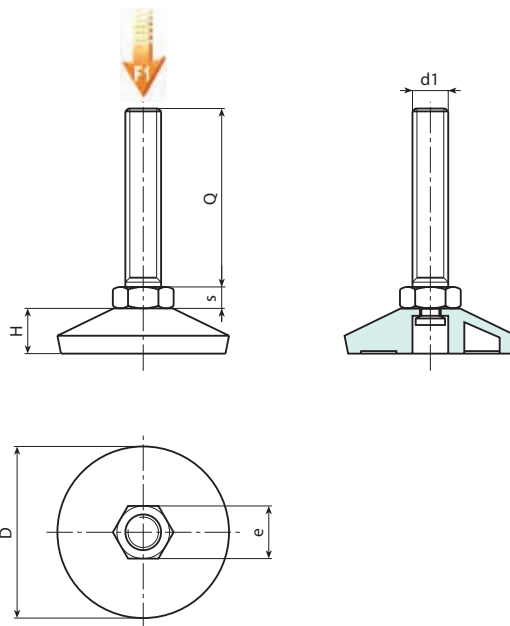
Black (RAL 9011).

Inserts:

Revolving threaded stud in galvanised steel (thread tolerance 6g).

Special requests:

- None.



Code	Art.	D	H	e	s	d1 _{6g}	Q	g	F1 (N)
-	P20340.TM10X4001	37	11.5	17	6.5	M10	40	39	2000
-	P20340.TM10X6001	37	11.5	17	6.5	M10	60	49	2000
-	P20350.TM10X4001	49	13	17	6.5	M10	40	44	2000
-	P20350.TM10X6001	49	13	17	6.5	M10	60	54	2000

Attention: The expressed load limit F1 is lower than the break load by 30% and is intended as static.