

# Q260

## KNURLED WASHER



### Materials:

Phenolic resin.  
Resistant to oils and greases.  
Resistant to high temperatures.

### Surface:

Glossy.

### Colour:

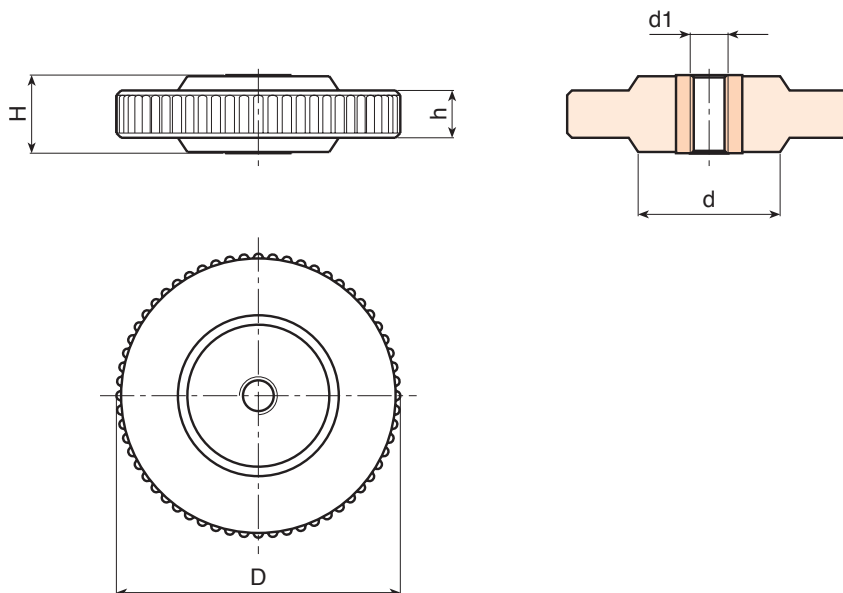
Black (RAL 9011).

### Inserts:

Galvanised steel insert with threaded through hole (thread tolerance 6H).

### Special Requests:

- Upon request and for special quantities inserts can be supplied in different materials.



Code	art.	D	H	d	h	d1 <sub>6H</sub>	g
-	Q26045.BM0601P	47	10	-	-	M6	31
-	Q26045.BM0801P	47	10	-	-	M8	32
-	Q26045.BM1001P	47	10	-	-	M10	34
-	Q26045.BM1201P	47	10	-	-	M12	35
-	Q26045.BM1401P	47	10	-	-	M14	38
-	Q26045.BM1601P	47	10	-	-	M16	42
-	Q26060.BM0801P	60	16	30	11	M8	62
-	Q26060.BM1001P	60	16	30	11	M10	65
-	Q26060.BM1201P	60	16	30	11	M12	68
-	Q26060.BM1401P	60	16	30	11	M14	70
-	Q26060.BM1601P	60	16	30	11	M16	73