

T402



COATED NEODYMIUM ROUND DISC MAGNET WITH THREADED HOLE

Materials:

- (1) Thermoplastic rubber TPE (75 Shore).
- (2) Flat neodymium magnet (NdFeB).
- (3) Turned galvanised steel base, with female threaded hole (thread tolerance 6H).

Surface finish:

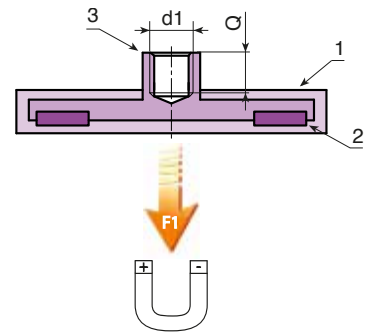
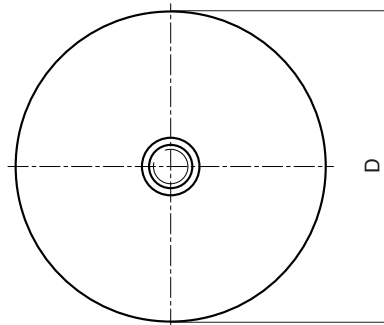
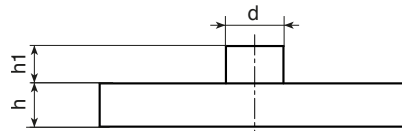
Smooth.

Colour:

Black (RAL 9011 code 01).
White (RAL 9004 code 04).

Special requests:

- None.



Black version (code 01)

Code	art.	D	d	h	h1	d16H	Q	\hat{g}	F1 (N)
-	T402012.GM0401	12	8	7	7.5	M4	6	6	13
-	T402018.GM0401	18	8	6	5.5	M4	5	9	37
-	T402022.GM0401	22	8	6	5.5	M4	5	13	58
-	T402031.GM0401	31	8	6	5.5	M4	5	22	89
-	T402043.GM0401	43	8	6	4.5	M4	5	30	100
-	T402057.GM0501	57	10	7.5	7	M5	6	82	200
-	T402066.GM0501	66	10	8.5	6.5	M5	8	105	250
-	T402088.GM0801	88	12	8.5	8.5	M8	11	192	550

Black version (code 01)

Code	art.	D	d	h	h1	d16H	Q	\hat{g}	F1 (N)
-	T402012.GM0401	12	8	7	7.5	M4	6	6	13
-	T402018.GM0401	18	8	6	5.5	M4	5	9	37
-	T402022.GM0401	22	8	6	5.5	M4	5	13	58
-	T402031.GM0401	31	8	6	5.5	M4	5	22	89
-	T402043.GM0401	43	8	6	4.5	M4	5	30	100
-	T402057.GM0501	57	10	7.5	7	M5	6	82	200
-	T402066.GM0501	66	10	8.5	6.5	M5	8	105	250
-	T402088.GM0801	88	12	8.5	8.5	M8	11	192	550