

# W630

## QUICK RELEASE STEEL RING DETENT PIN



### Materials:

- (1) Stainless steel spring ring (Aisi 302).
- (2) Turned free-cutting steel pin.
- (3) Stainless steel spring (Aisi 301).
- (4) Hardened stainless steel balls (Aisi 440C).

### Surface finish:

- (1-4) Natural.
- (2) Standard blue galvanising.

### Notes:

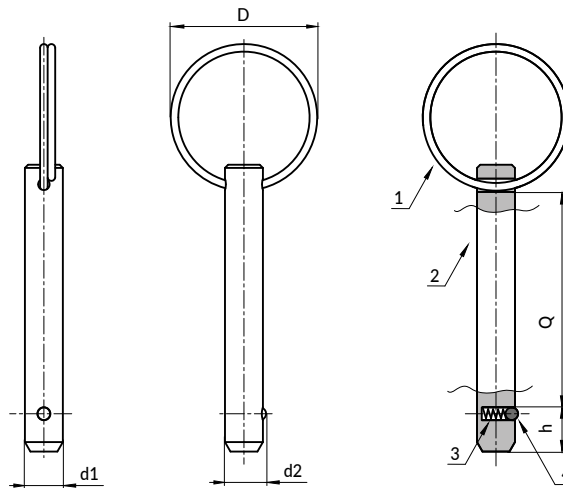
The quick release detent pin is a quick and easy way to connect components or secure pieces to be machined.

### ATTENTION:

> We recommend an H11 tolerance for the plunger stem bore.

### Special Requests:

- None.



W.S

Code	Art.	D	d2	h	d1H9	Q(+0.6)	g	Shear strength to double shear strength max. kN
-	W630023.VZD06X15	23	6.5	7	6	15	7	22
-	W630023.VZD06X20	23	6.5	7	6	20	8	22
-	W630023.VZD06X30	23	6.5	7	6	30	10	22
-	W630023.VZD06X40	23	6.5	7	6	40	12	22
-	W630028.VZD08X30	28	8.8	8	8	30	19	38
-	W630028.VZD08X40	28	8.8	8	8	40	23	38
-	W630028.VZD08X50	28	8.8	8	8	50	27	38