

W695CIN

QUICK RELEASE KNOB DETENT PIN IN FULL STAINLESS STEEL



INOX

Materials:

- (1) Hardened stainless steel balls (Aisi 440C).
- (2) Stainless steel pin (Aisi 630), with high mechanical and chemical resistance, hardened (HRC 40).
- (4) Turned stainless steel knob (Aisi 303).
- (6) Turned stainless steel button (Aisi 303).
- (5) Stainless steel spring (Aisi 301).

Surface finish:

Natural with protective passivation.

Colour:

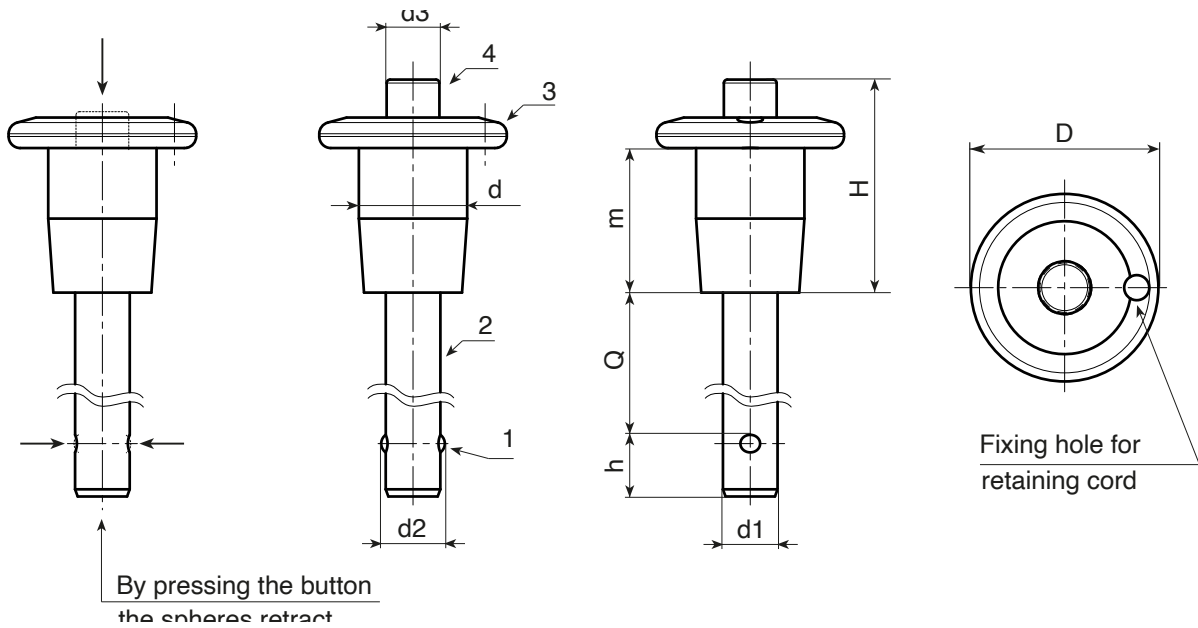
Natural.

ATTENTION:

> We recommend an H11 tolerance for the plunger stem bore.

Special Requests:

- None.



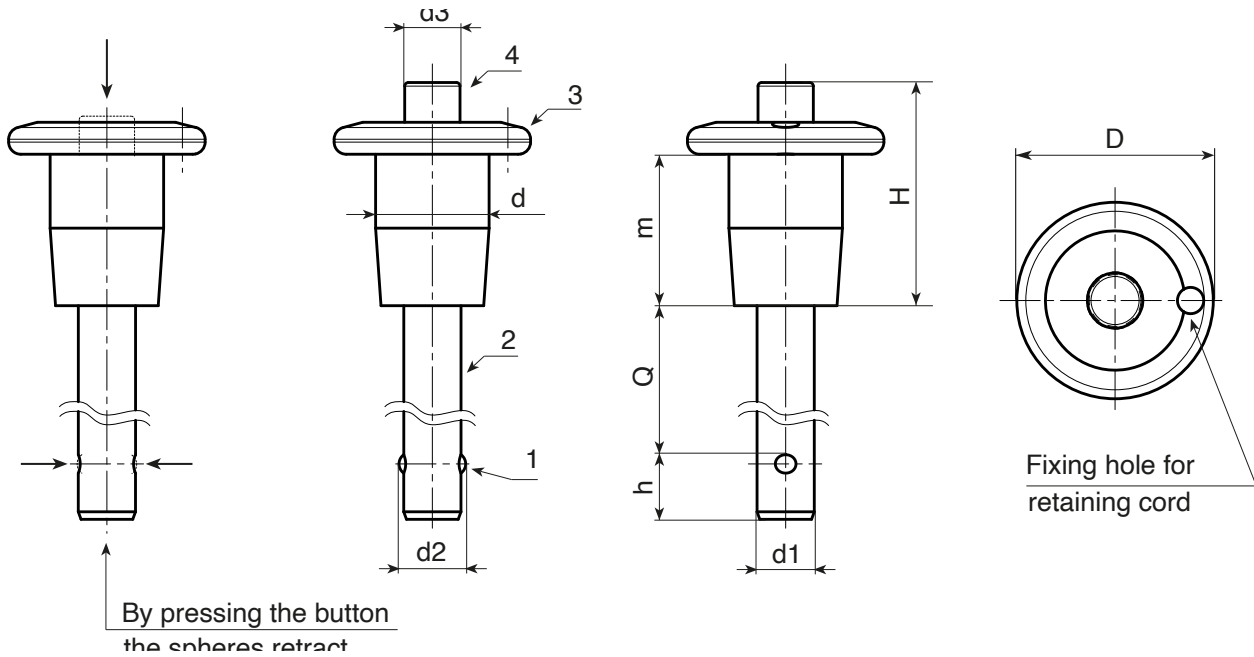
Code	Art.	D	H	m	d	d2(±0.25)	d3	d1(-0,04 -0,08)	Q(+0.5)	h(±1)	g
-	W69521.105X10CIN	21	23,5	16	12	5,54	6	5	10	6	22
-	W69521.105X15CIN	21	23,5	16	12	5,54	6	5	15	6	23
-	W69521.105X20CIN	21	23,5	16	12	5,54	6	5	20	6	23
-	W69521.105X25CIN	21	23,5	16	12	5,54	6	5	25	6	24
-	W69521.105X30CIN	21	23,5	16	12	5,54	6	5	30	6	25
-	W69521.105X35CIN	21	23,5	16	12	5,54	6	5	35	6	25
-	W69521.105X40CIN	21	23,5	16	12	5,54	6	5	40	6	26
-	W69521.105X50CIN	21	23,5	16	12	5,54	6	5	50	6	28
-	W69521.105X60CIN	21	23,5	16	12	5,54	6	5	60	6	29

W695CIN

QUICK RELEASE KNOB DETENT PIN IN FULL STAINLESS STEEL



INOX



Code	Art.	D	H	m	d	d2(±0.25)	d3	d1(-0,04 -0,08)	Q(+0.5)	h(±1)	g
-	W69521.105X70CIN	21	23,5	16	12	5,54	6	5	70	6	30
-	W69521.106X10CIN	21	23,5	16	12	6,99	6	6	10	7	23
-	W69521.106X15CIN	21	23,5	16	12	6,99	6	6	15	7	24
-	W69521.106X20CIN	21	23,5	16	12	6,99	6	6	20	7	25
-	W69521.106X25CIN	21	23,5	16	12	6,99	6	6	25	7	26
-	W69521.106X30CIN	21	23,5	16	12	6,99	6	6	30	7	27
-	W69521.106X35CIN	21	23,5	16	12	6,99	6	6	35	7	28
-	W69521.106X40CIN	21	23,5	16	12	6,99	6	6	40	7	29,5
-	W69521.106X50CIN	21	23,5	16	12	6,99	6	6	50	7	32
-	W69521.106X60CIN	21	23,5	16	12	6,99	6	6	60	7	34
-	W69521.106X70CIN	21	23,5	16	12	6,99	6	6	70	7	36
-	W69521.106X80CIN	21	23,5	16	12	6,99	6	6	80	7	38,5
-	W69521.108X10CIN	21	23,5	16	12	9,42	6	8	10	8	27
-	W69521.108X15CIN	21	23,5	16	12	9,42	6	8	15	8	29
-	W69521.108X20CIN	21	23,5	16	12	9,42	6	8	20	8	31
-	W69521.108X25CIN	21	23,5	16	12	9,42	6	8	25	8	32
-	W69521.108X30CIN	21	23,5	16	12	9,42	6	8	30	8	35
-	W69521.108X35CIN	21	23,5	16	12	9,42	6	8	35	8	36
-	W69521.108X40CIN	21	23,5	16	12	9,42	6	8	40	8	38
-	W69521.108X50CIN	21	23,5	16	12	9,42	6	8	50	8	42
-	W69521.108X60CIN	21	23,5	16	12	9,42	6	8	60	8	46
-	W69521.108X70CIN	21	23,5	16	12	9,42	6	8	70	8	50
-	W69521.108X80CIN	21	23,5	16	12	9,42	6	8	80	8	54
-	W69525.110X100CIN	25,5	26	18	14	11,86	7,5	10	100	9	96
-	W69535.112X20CIN	35	32,5	22	18	14,45	10,5	12	20	10	98
-	W69535.112X25CIN	35	32,5	22	18	14,45	10,5	12	25	10	102
-	W69535.112X30CIN	35	32,5	22	18	14,45	10,5	12	30	10	107
-	W69535.112X35CIN	35	32,5	22	18	14,45	10,5	12	35	10	110
-	W69535.112X40CIN	35	32,5	22	18	14,45	10,5	12	40	10	115
-	W69535.112X50CIN	35	32,5	22	18	14,45	10,5	12	50	10	123
-	W69535.112X60CIN	35	32,5	22	18	14,45	10,5	12	60	10	132
-	W69535.112X70CIN	35	32,5	22	18	14,45	10,5	12	70	10	140
-	W69535.112X80CIN	35	32,5	22	18	14,45	10,5	12	80	10	150
-	W69535.112X90CIN	35	32,5	22	18	14,45	10,5	12	90	10	157
-	W69535.112X100CIN	35	32,5	22	18	14,45	10,5	12	100	10	168