

W770



GALVANIZED STEEL HEXAGONAL PLUNGER WITH SMOOTH NOSE PIN

Materials:

- (2) Plunger body in free-cutting steel.
- (4) Turned steel closing cap, with hexagonal key seat.
- (1) Turned free-cutting steel nose pin.

Surface finish:

Smooth.

Colour:

Standard blue galvanising.

Spring:

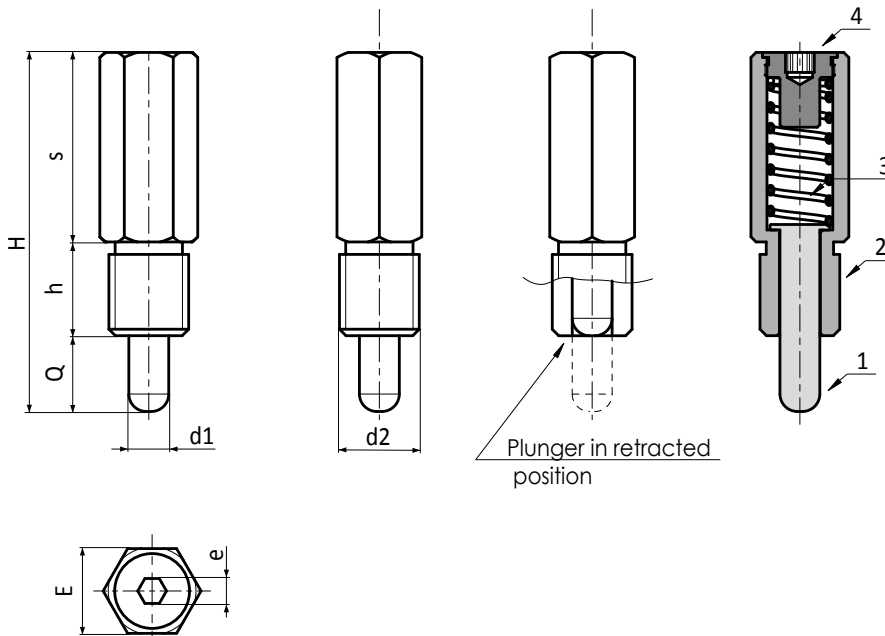
- (3) Stainless steel spring (Aisi 302).

Special Requests:

- None.

ATTENTION:

> We recommend an H7 tolerance for the plunger stem bore.



W.S

Code	Art.	E	H	h	s	e	d2	d1 -0,04 -0,08	Q	g
-	W77017.Q08X15	17	72	19	38	5	M16	08	15	72