

W995



KNURLED ALUMINIUM CONTROL KNOB WITH NUMBERS

Materials:

Aluminium (alloy AL 6060).

Surface finish:

Turned with low roughness.

Colour:

Anodized black.

Cap:

Central cap in grey polyamide (RAL 7035 code 13).

Grub screw:

Stainless steel 304 grub screw M05x6 with cup point DIN 916.

Hole:

Smooth through hole, remachined with H7 tolerance.

Graduations and numbers:

Graduations and numbers engraved on the smooth part of the knob.

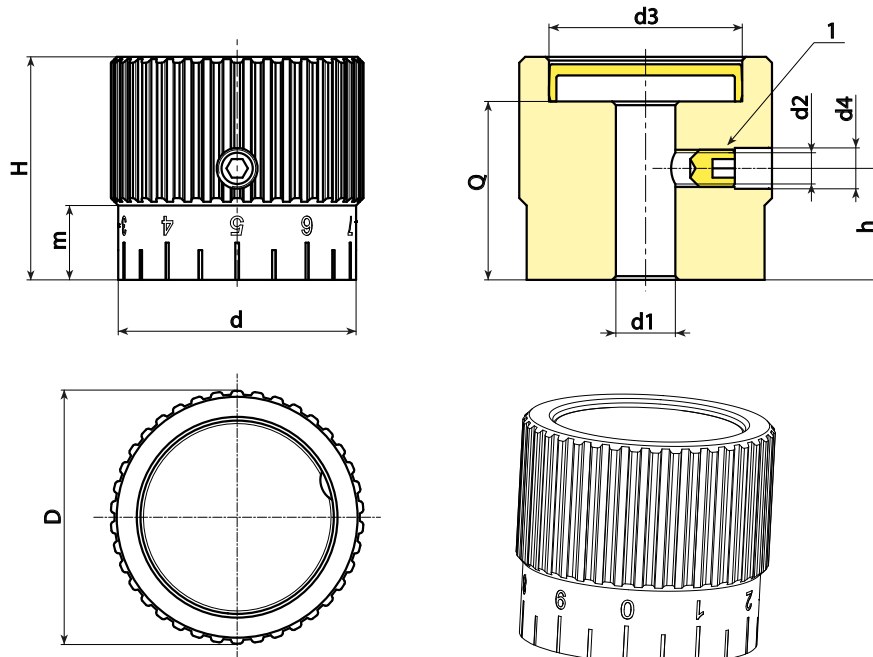
Natural aluminium colour.

Z1= Scale 0-10 with 20 graduations.

Z2= Scale 0-20 with 20 graduations.

Special Requests:

- Upon request and for special quantities control knobs can be supplied to customer's drawing with hole diameter d1.



Code	Art.	D	d	H	m	h	d2	d3	d4	d1H7	Q	g
-	W99534.AD0813Z1	34	32	30	10	15	M5	26	5.5	8	24	100

Attention: For a minimum of 50 pieces the diameter d1 can be customised (hole tolerance H7).