

A148

LOCKING HANDLE WITH THREADED INSERT



Materials:

Reinforced polyamide.
Resistant to oils and greases.

Surface finish:

Satin.

Colour:

Black (RAL 9011).

Central cap:

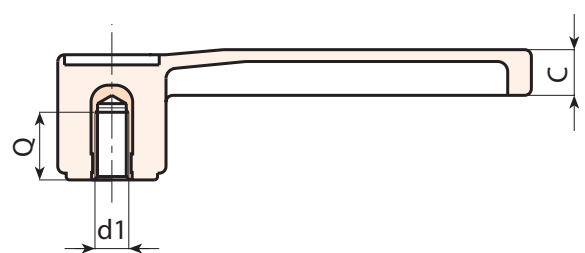
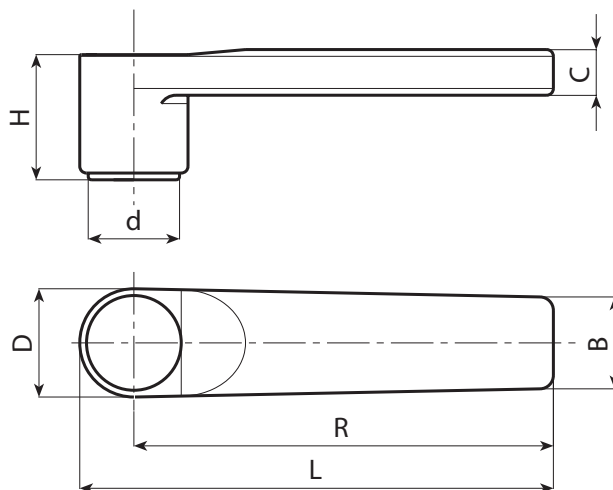
Central cap in grey polyamide (RAL 7035).

Inserts:

Brass insert with female threaded hole (thread tolerance 6H).

Special requests:

- Upon request and for special quantities inserts can be supplied in different materials.



Code	Art.	L	R	H	D	c	B	h1	d	d16H	Q	
A148125.0002	A148125.TM1001	139	125	37	31	13	26	35	27.5	M10	20	78
A148125.0004	A148125.TM1201	139	125	37	31	13	26	35	27.5	M12	18	84