

B222

FIXED BRIDGE HANDLE WITH THREADED HOLE



Materials:

Phenolic resin.
Resistant to oils and greases.
Resistant to high temperatures.

Surface finish:

Glossy.

Colour:

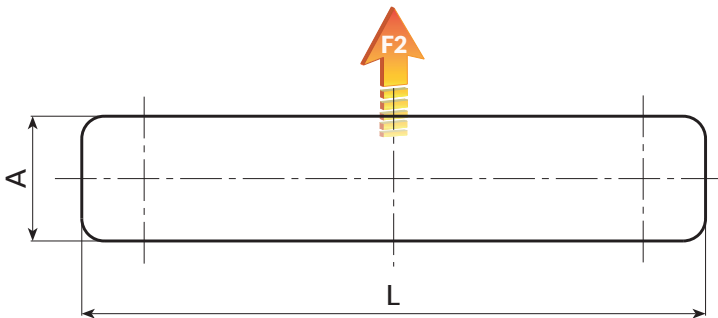
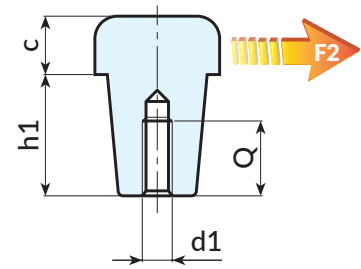
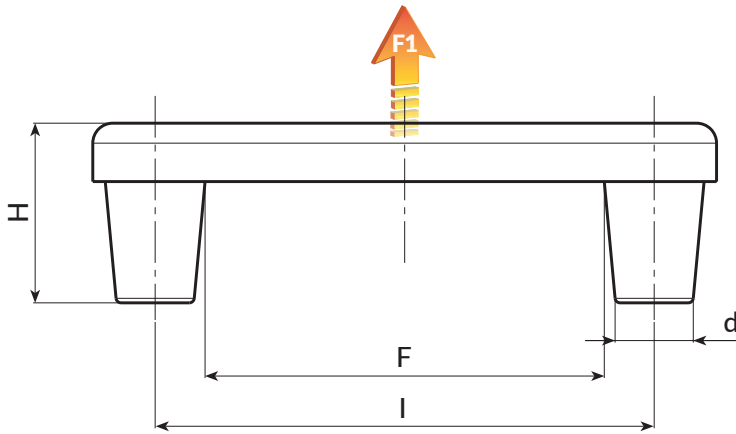
Black (RAL 9011).

Hole:

Female threaded hole obtained by moulding the plastic.

Special requests:

- None.



| Code | art. | L | I | F | A | H | h1 | c | d | d1 | Q | g | F1(N) | F2(N) |
|--------------|------------------|-----|-----|----|----|------|------|----|------|----|----|----|-------|-------|
| B222100.0002 | B222100.BM0601CP | 125 | 100 | 80 | 25 | 35.5 | 23.5 | 12 | 15.5 | M6 | 15 | 63 | 2000 | 1400 |