

# B224

## FIXED HANDLE WITH THROUGH HOLE



### Materials:

Reinforced polyamide.  
Resistant to oils and greases.

### Surface finish:

Satin.

### Colour:

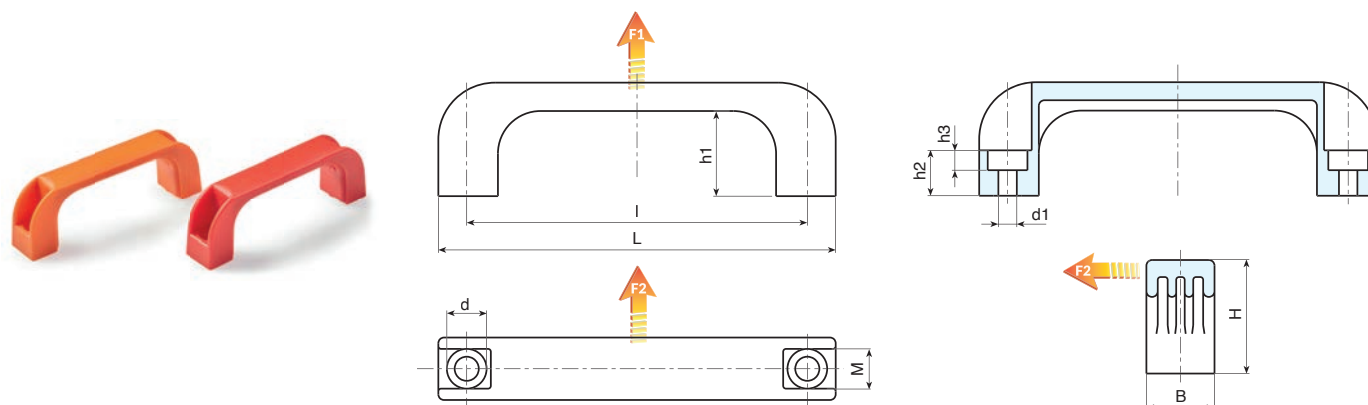
Black: (RAL 9011 code 01).  
Orange: (RAL 2004 code 02).  
Red: (RAL 3000 code 16).

### Hole:

Smooth through hole obtained by moulding the plastic.

### Special requests:

- Upon request and for special quantities available in the colours indicated in the chart [page].



### B224 - Black handle (RAL 9011 code 01)

| Code         | art.               | L   | l   | B  | M  | H  | h1 | h2 | h3 | d  | d1   | g   | F1 (N) | F2 (N) |
|--------------|--------------------|-----|-----|----|----|----|----|----|----|----|------|-----|--------|--------|
| B224094.0002 | B224094.TG6.501PP  | 110 | 94  | 21 | 13 | 37 | 29 | 13 | 7  | 11 | 6.5  | 22  | 2500   | 1251   |
| B224117.0003 | B224117.TG6.501PP  | 140 | 117 | 24 | 13 | 40 | 29 | 15 | 7  | 14 | 6.5  | 43  | 4400   | 3000   |
| B224117.0010 | B224117.TG8.501PP  | 140 | 117 | 24 | 13 | 40 | 29 | 15 | 9  | 14 | 8.5  | 39  | 4400   | 3000   |
| B224120.0003 | B224120.TG6.501PP  | 140 | 120 | 24 | 14 | 40 | 29 | 15 | 7  | 14 | 6.5  | 42  | 4800   | 3200   |
| B224120.0010 | B224120.TG8.501PP  | 140 | 120 | 24 | 14 | 40 | 29 | 15 | 9  | 14 | 8.5  | 39  | 4800   | 3200   |
| B224132.0002 | B224132.TG8.501PP  | 151 | 132 | 26 | 14 | 43 | 31 | 16 | 9  | 14 | 8.5  | 63  | 3400   | 3200   |
| B224180.0003 | B224180.TG8.501PP  | 200 | 180 | 28 | 17 | 51 | 39 | 21 | 9  | 14 | 8.5  | 74  | 4000   | 3000   |
| B224235.0002 | B224235.TG10.501PP | 262 | 235 | 32 | 20 | 53 | 40 | 21 | 11 | 17 | 10.5 | 123 | 3800   | 3000   |

### B224 - Orange handle (RAL2004 code 02)

| Code         | art.               | L   | l   | B  | M  | H  | h1 | h2 | h3 | d  | d1   | g   | F1 (N) | F2 (N) |
|--------------|--------------------|-----|-----|----|----|----|----|----|----|----|------|-----|--------|--------|
| B224094.0004 | B224094.TG6.502PP  | 110 | 94  | 21 | 13 | 37 | 29 | 13 | 7  | 11 | 6.5  | 22  | 2500   | 1250   |
| B224117.0005 | B224117.TG6.502PP  | 140 | 117 | 24 | 13 | 40 | 29 | 15 | 7  | 14 | 6.5  | 43  | 4400   | 3000   |
| B224117.0016 | B224117.TG8.502PP  | 140 | 117 | 24 | 13 | 40 | 29 | 15 | 9  | 14 | 8.5  | 39  | 4400   | 3000   |
| B224120.0004 | B224120.TG6.502PP  | 140 | 120 | 24 | 14 | 40 | 29 | 15 | 7  | 14 | 6.5  | 42  | 4800   | 3200   |
| B224120.0011 | B224120.TG8.502PP  | 140 | 120 | 24 | 14 | 40 | 29 | 15 | 9  | 14 | 8.5  | 39  | 4800   | 3200   |
| B224132.0003 | B224132.TG8.502PP  | 151 | 132 | 26 | 14 | 43 | 31 | 16 | 9  | 14 | 8.5  | 63  | 3400   | 3200   |
| B224180.0004 | B224180.TG8.502PP  | 200 | 180 | 28 | 17 | 51 | 39 | 21 | 9  | 14 | 8.5  | 74  | 4000   | 3000   |
| B224235.0003 | B224235.TG10.502PP | 262 | 235 | 32 | 20 | 53 | 40 | 21 | 11 | 17 | 10.5 | 123 | 3800   | 3000   |

### B224 - Red handle (RAL 3000 code 16)

| Code         | art.               | L   | l   | B  | M  | H  | h1 | h2 | h3 | d  | d1   | g   | F1 (N) | F2 (N) |
|--------------|--------------------|-----|-----|----|----|----|----|----|----|----|------|-----|--------|--------|
| B224094.0005 | B224094.TG6.516PP  | 110 | 94  | 21 | 13 | 37 | 29 | 13 | 7  | 11 | 6.5  | 22  | 2500   | 1250   |
| B224117.0007 | B224117.TG6.516PP  | 140 | 117 | 24 | 13 | 40 | 29 | 15 | 7  | 14 | 6.5  | 43  | 4400   | 3000   |
| B224117.0020 | B224117.TG8.516PP  | 140 | 117 | 24 | 13 | 40 | 29 | 15 | 9  | 14 | 8.5  | 39  | 4400   | 3000   |
| B224120.0006 | B224120.TG6.516PP  | 140 | 120 | 24 | 14 | 40 | 29 | 15 | 7  | 14 | 6.5  | 42  | 4800   | 3200   |
| B224132.0006 | B224132.TG8.516PP  | 151 | 132 | 26 | 14 | 43 | 31 | 16 | 9  | 14 | 8.5  | 63  | 3400   | 3200   |
| B224180.0005 | B224180.TG8.516PP  | 200 | 180 | 28 | 17 | 51 | 39 | 21 | 9  | 14 | 8.5  | 74  | 4000   | 3000   |
| B224235.0005 | B224235.TG10.516PP | 262 | 235 | 32 | 20 | 53 | 40 | 21 | 11 | 17 | 10.5 | 123 | 3800   | 3000   |