

# B236CIN

## SOLID HANDLE WITH STAINLESS STEEL THREADED INSERT

+135°  
-30°

PA6  
+G.F.

UL94  
HB

RoHS  
COMPLIANT

INOX

### Materials:

Reinforced polyamide. Resistant to oils and greases.

### Surface finish:

Satin.

### Colour:

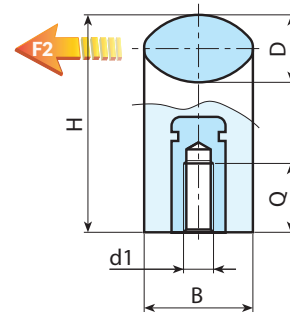
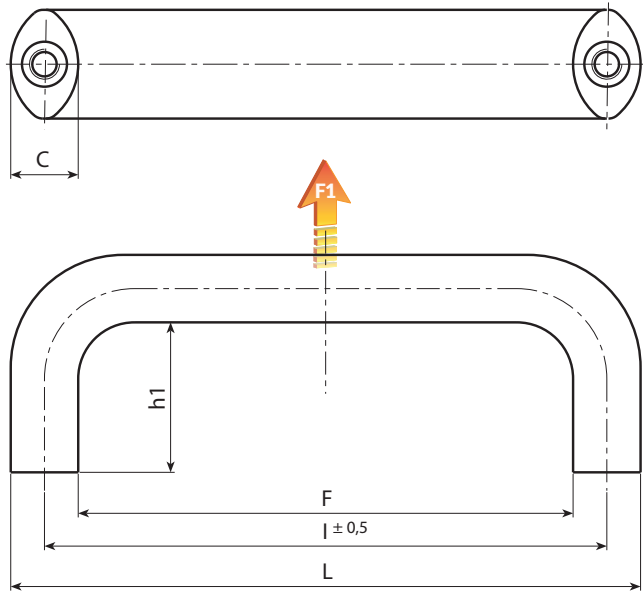
Black (RAL 9011).

### Inserts:

Stainless steel insert with female threaded hole (Aisi 303) (thread tolerance 6H).

### Special requests:

- Upon request and for special quantities available in the colours indicated in the chart [on page 959].



INOX

Code	art.	L	I	F	B	C	D	H	h1	Q	d1 <sup>6H</sup>	g	F1 (N)	F2 (N)
B236086.0003	B236086.TM0501CIN	98.5	86	73.5	20	12.5	12.5	40	28	8	M5	40	4000	1500
B236086.0006	B236086.TM0601CIN	98.5	86	73.5	20	12.5	12.5	40	28	9	M6	40	4000	1500
B236094.0003	B236094.TM0501CIN	106.5	94	81.5	20	12.5	12.5	40	28	8	M5	40	3300	1600
B236094.0009	B236094.TM0601CIN	106.5	94	81.5	20	12.5	12.5	40	28	9	M6	40	3300	1600
B236117.0004	B236117.TM0501CIN	134	117	102	25	16	16	50	34	8	M5	84	4400	1800
B236117.0008	B236117.TM0601CIN	134	117	102	25	16	16	50	34	9	M6	81	4400	1800
B236117.0012	B236117.TM0801CIN	134	117	102	25	16	16	50	34	13	M8	80	4400	1800
B236120.0003	B236120.TM0501CIN	134	120	102	25	16	16	50	34	8	M5	84	5200	2400
B236120.0007	B236120.TM0601CIN	134	120	102	25	16	16	50	34	9	M6	81	5200	2400
B236120.0010	B236120.TM0801CIN	134	120	102	25	16	16	50	34	13	M8	80	5200	2400
B236132.0003	B236132.TM0501CIN	148	132	116	25	16	16	50	34	8	M5	90	3700	2600
B236132.0006	B236132.TM0601CIN	148	132	116	25	16	16	50	34	9	M6	88	3700	2600
B236132.0009	B236132.TM0801CIN	148	132	116	25	16	16	50	34	13	M8	85	3700	2600
B236150.0003	B236150.TM0601CIN	168	149,5	132	29	18	18	58	40	13	M6	123	5900	1900
B236150.0006	B236150.TM0801CIN	168	149,5	132	29	18	18	58	40	13	M8	121	5900	1900
B236150.0009	B236150.TM1001CIN	168	149,5	132	29	18	18	58	40	16	M10	119	5900	1900
B236179.0004	B236179.TM0801CIN	197	179	161	29	18	18	58	40	13	M8	135	3800	3200
B236179.0008	B236179.TM1001CIN	197	179	161	29	18	18	58	40	16	M10	133	3800	3200