

# D161



## TAPERED HANDWHEEL WITH INSERT AND SMOOTH BORE OR THREADED HOLE

### Materials:

Reinforced polyamide. Resistant to oils and greases.

### Surface finish:

Satin.

### Colour:

Black (RAL 9011).

### Main insert:

#### Version TD:

Galvanised steel insert with blind smooth bore (tolerance H10).

#### Version TM:

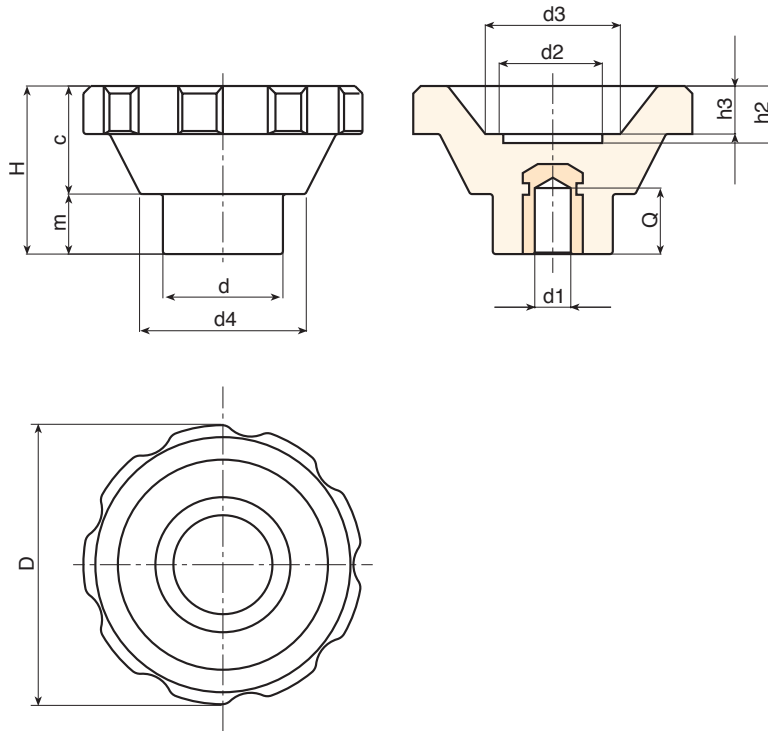
Galvanised steel insert with female threaded hole (tolerance 6H).

### Special requests:

- Upon request and for special quantities inserts can be supplied with custom hole diameter  $d_1$ .
- Upon request and for special quantities inserts can be supplied in different materials or finishes.

### Fixing method:

For fixing systems, or execution of keyways or square holes, please refer to the technical notes attached to the catalogue [page 966].



Version TD with blind smooth bore.

Code	Art.	D	H	d	c	m	d2	d3	d4	h2	h3	Dm	d1 <sub>H10</sub>	Q	
D16195.0006	D16195.TD0801	93	56.5	40	36.5	20	32	45	55.5	20	17	22	8	27	340

Attention: For a minimum of 50 pieces the diameter  $d_1$  can be customised (hole tolerance H10 galvanised and H7 black-oxide treated).  
Dm = Maximum obtainable diameter for subsequent machining (widening).

Version TM with female threaded hole.

Code	Art.	D	H	d	c	m	d2	d3	d4	h2	h3	d1 <sub>6H</sub>	Q	
D16195.0019	D16195.TM1201	93	56.5	40	36.5	20	32	45	55.5	20	17	M12	25	338

Attention: for a minimum of 50 pieces the diameter  $d_1$  can be produced with the requested dimensions (tolerance 6H).

