

D206



TWO-SPOKE CONTROL HANDWHEEL WITH REVOLVING HANDLE

Materials:

Reinforced and stabilized polyamide. Resistant to oils and greases.

Surface finish: Satin.

Colour: Black (RAL 9011).

Central cap:

Grey polyamide (RAL 7035). 13).

Alternative cap colours:

Orange (RAL 2004 code 02).
 Blue (RAL 5015 code 07).
 Yellow (RAL 1021 code 10).
 Red (RAL 3000 code 16).
 Green (RAL 6024 code 17).
 Black (RAL 9011 code 01).

Main insert:

Galvanised steel insert with smooth through bore (tolerance H10).

Lateral insert:

Brass insert with threaded through hole.

Lateral handle:

D206: Revolving handle art. M144 (page 504).
 D209: Revolving handle art. M145 (page 509).
 D210: Revolving handle art. M129 (page 505).
 D211: Revolving handle art. M202 (page 513).

Hub:

Solid Hub.

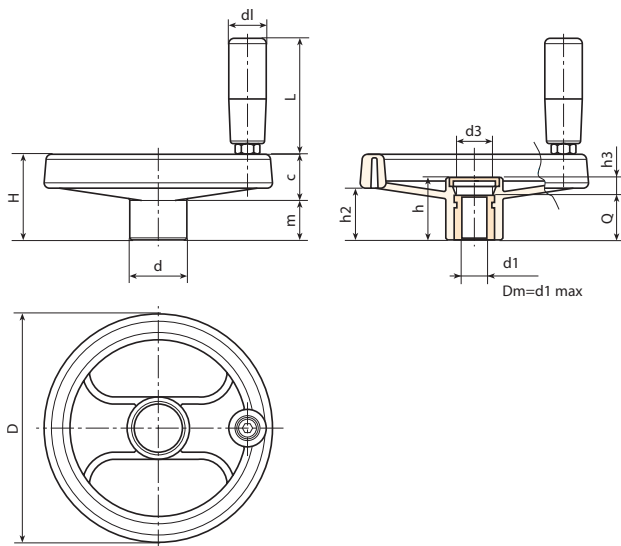
(*) Lightweight hub.

Fixing method:

For fixing systems, or execution of keyways or square holes, please refer to the technical notes attached to the catalogue [page 966].

Special requests:

- Upon request and for a minimum of 50 pieces inserts can be supplied with hole d1 with tolerance H7 and black oxide treated finish. Add letters ZB to the standard code. Example: D206130.TD1001PZB.
- Upon request and for special quantities inserts can be supplied with custom hole diameter d1.
- Upon request and for special quantities inserts can be supplied in different materials/with different coatings.
- Upon request and for special quantities spoke handwheels, handles and caps are available in the colours indicated in the chart (reduced range) [page 959].



Code	Art.	D	H	h	d	m	c	h2	h3	d3	dl	L	Dm	d1 _{H10}	Q	g
D206080.0014	D206080.TP0501P	80	34	26	24,5	15,5	18,5	20	6	16,5	19	54	12	10	20	113
D206080.0002	D206080.TD0801P	80	34	26	24,5	15,5	18,5	20	6	16,5	19	54	12	5	20	115
D206080.0006	D206080.TD1001P	80	34	26	24,5	15,5	18,5	20	6	16,5	19	54	12	10	20	110
D206100.0021	D206100.TP0501P	99	43	33	28	19,5	23,5	27	9	17	19	54	16	5	24	182
D206100.0003	D206100.TD0801P	99	43	33	28	19,5	23,5	27	9	17	19	54	16	8	24	176
D206100.0009	D206100.TD1001P	99	43	33	28	19,5	23,5	27	9	17	19	54	16	10	24	160
D206100.0011	D206100.TD1201P	99	43	33	28	19,5	23,5	27	9	17	19	54	16	12	24	177
D206130.0046	D206130.TP0501P	129	50	35,5	32	20	30	30	11,5	25,5	21	65,5	18	5	24	285
D206130.0004	D206130.TD0801P	129	50	35,5	32	20	30	30	11,5	25,5	21	65,5	18	8	24	293
D206130.0008	D206130.TD1001P	129	50	35,5	32	20	30	30	11,5	25,5	21	65,5	18	10	24	290
D206130.0014	D206130.TD1201P	129	50	35,5	32	20	30	30	11,5	25,5	21	65,5	18	12	24	280
D206160.0007	D206160.TD0801P	160	57,5	41	40	20	37,5	34	9	26	23,5	75	22	8	32	440
D206160.0019	D206160.TD1401P	160	57,5	41	40	20	37,5	34	9	26	23,5	75	22	14	32	430
D206160.0043	D206160.TD2001P	160	57,5	41	40	20	37,5	34	9	26	23,5	75	22	20	32	375
D206200.0002	D206200.TD0801P	198	61,5	39,5	51	17	44	32	7,5	27	23,5	75	22	8	32	685
D206200.0012	D206200.TD1601P	198	61,5	39,5	51	17	44	32	7,5	27	23,5	75	22	16	32	640
D206200.0020	D206200.TD2001P	198	61,5	39,5	51	17	44	32	7,5	27	23,5	75	22	20	32	685
D206250.0007	D206250.TD0801P	252	70	47	56	23	47	38,5	12	31,5	25,5	87	28	8	36	1100
D206250.0022	D206250.TD2001P	252	70	47	56	23	47	38,5	12	31,5	25,5	87	28	20	36	1015
D206350.0002	D206350.TD0801P	349	80	50	67	21,5	58,5	43,5	18	35	26,5	97,5	30	(*)8	32	1650

Attention: For a minimum of 50 pieces the diameter d1 can be customised (hole tolerance H10 galvanised and H7 black-oxide treated).
 Dm = Maximum obtainable diameter for subsequent machining (widening).

