

# E217



## CRANK HANDLE WITH SMOOTH BORE INSERT AND FOLDING HANDLE

### Material:

Reinforced polyamide.  
Resistant to oils and greases.

### Surface finish:

Satin.

### Colour:

Black (RAL 9011).

### Central cap:

Grey polyamide (RAL 7035). 13.

### Alternative Cap colours:

Orange (RAL 2004 code 02).  
Red (RAL 3000 code 16).  
Blue (RAL 5015 code 07).  
Green (RAL 6024 code 17).  
Yellow (RAL 1021 code 10).  
Black (RAL 9011 code 01).

### Inserts:

Galvanised steel insert with smooth through bore (tolerance H10).

### Lateral insert:

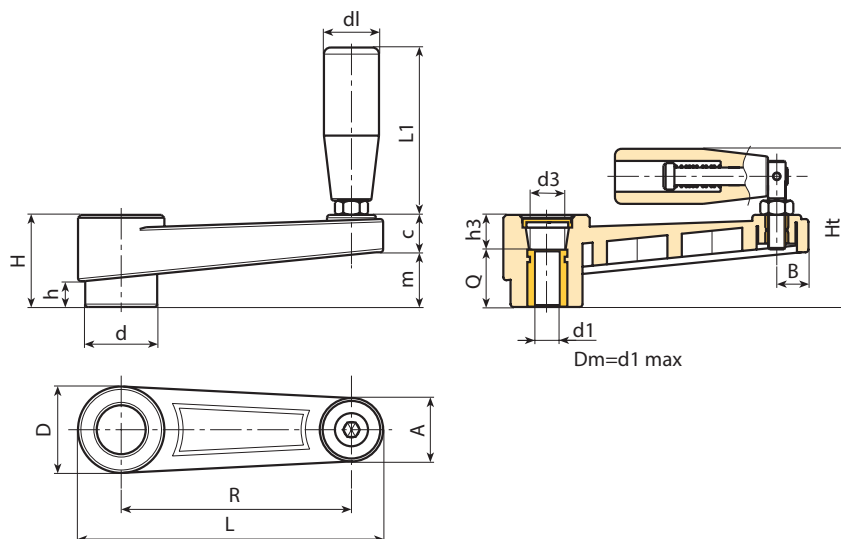
Brass insert with threaded through hole.

### Lateral handle:

Revolving, folding handle art. M136 [page 510].

### Special requests:

- Upon request and for special quantities inserts can be supplied with custom hole diameter d1.
- Upon request and for special quantities inserts can be supplied in different materials/with different coatings.
- Upon request and for special quantities available in the colours indicated in the chart [page 959].



Code	Art.	L	R	H	Ht	D	d	m	c	A	B	h	d3	h3	dm	d1 <sub>H10</sub>	Q	dl	L1	g
E217065.0018	E217065.TP0501	88,5	65	30	55	27,5	22	17	13	20	9,5	8	14,5	10	12	5	20	20	54	105
E217065.0006	E217065.TD1001	88,5	65	30	55	27,5	22	17	13	20	9,5	8	14,5	10	12	10	20	20	54	100
E217065.0011	E217065.TD1201	88,5	65	30	55	27,5	22	17	13	20	9,5	8	14,5	10	12	12	20	20	54	97
E217080.0015	E217080.TP0501	107	80	33,5	58	32	26	20,5	13	23	11	9	19,5	9,5	14	5	24	20	54	115
E217080.0003	E217080.TD1001	107	80	33,5	58	32	26	20,5	13	23	11	9	19,5	9,5	14	10	24	20	54	110
E217080.0007	E217080.TD1201	107	80	33,5	58	32	26	20,5	13	23	11	9	19,5	9,5	14	12	24	20	54	107
E217110.0001	E217110.TD0801	140	110	39	68	35	29	25	14	24	12	11	19,5	11	14	8	28	23,5	76	156
E217110.0008	E217110.TD1001	140	110	39	68	35	29	25	14	24	12	11	19,5	11	14	10	28	23,5	76	153
E217110.0010	E217110.TD1201	140	110	39	68	35	29	25	14	24	12	11	19,5	11	14	12	28	23,5	76	150
E217140.0004	E217140.TD0801	175	140	49	84	44	35,5	32	17	27	13	15,5	24	19	20	8	30	26	89	300
E217140.0007	E217140.TD1201	175	140	49	84	44	35,5	32	17	27	13	15,5	24	19	20	12	30	26	89	245
E217140.0009	E217140.TD1401	175	140	49	84	44	35,5	32	17	27	13	15,5	24	19	20	14	30	26	89	242
E217140.0013	E217140.TD1601	175	140	49	84	44	35,5	32	17	27	13	15,5	24	19	20	16	30	26	89	238
E217185.0001	E217185.TD0801	223	185	55	90	47,5	40	38,5	16,5	27	14	17	29,5	21	22	8	34	26	97	450
E217185.0004	E217185.TD1201	223	185	55	90	47,5	40	38,5	16,5	27	14	17	29,5	21	22	12	34	26	97	445

Attention: For a minimum of 50 pieces the diameter d1 can be customised (hole tolerance H10 galvanised and H7 black-oxide treated).  
Dm = Maximum obtainable diameter for subsequent machining (widening).

