

E518



PA6
+G.F.

UL94
HB



INDEXED CRANK HANDLE WITH THREADED INSERT AND REVOLVING HANDLE

Material:

Reinforced polyamide. Resistant to oils and greases.

Surface finish:

Satin.

Colour:

Black (RAL 9011).

Inserts:

Galvanised steel insert with female threaded hole (thread tolerance 6H).

Lateral insert:

Brass insert with threaded through hole.

Lateral handle:

E518: Revolving handle art. M144 page (504).

E513: Revolving handle art. M145 page (509).

E517: Revolving handle art. M129 page (505).

Spring:

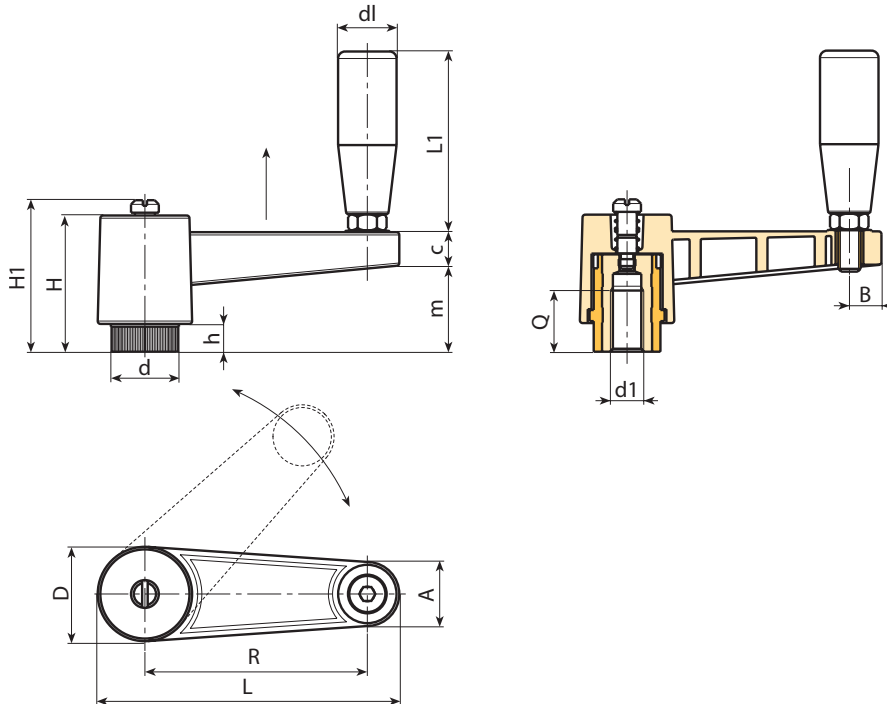
Stainless steel spring (Aisi 302).

Fixing screw:

Black oxide treated steel screw with slotted head.

Special requests:

- Upon request and for special quantities inserts can be supplied in different materials.
- Upon request and for special quantities crank handle body available in the colours indicated in the chart [page 959].



Code	Art.	L	R	H	D	d	m	c	A	B	h	H1	d1 _{6H}	Q	dl	L1	g
E518065.0001	E518065.TM0801	88,5	65	46	27	19	30	13	17	9	10	-	M8	18	19	54	94
E518065.0002	E518065.TM1001	88,5	65	46	27	19	30	13	17	9	10	-	M10	18	19	54	90
E518065.0003	E518065.TM1201	88,5	65	46	27	19	30	13	17	9	10	-	M12	18	19	54	90
E518080.0001	E518080.TM1201	109	80	50	34	24,5	33	13	22	12	11	54	M12	22	21	66	172
E518080.0002	E518080.TM1401	109	80	50	34	24,5	33	13	22	12	11	54	M14	22	21	66	164
E518080.0003	E518080.TM1601	109	80	50	34	24,5	33	13	22	12	11	54	M16	22	21	66	154
E518110.0001	E518110.TM1201	139	110	50	34	24,5	33	13	22	12	11	54	M12	22	21	66	181
E518110.0002	E518110.TM1401	139	110	50	34	24,5	33	13	22	12	11	54	M14	22	21	66	195
E518110.0003	E518110.TM1601	139	110	50	34	24,5	33	13	22	12	11	54	M16	22	21	66	198