

# G795

## KNOB WITH THREADED STUD



### Materials:

Reinforced polyamide.  
Resistant to oils and greases.

### Surface finish:

Satin.

### Colour:

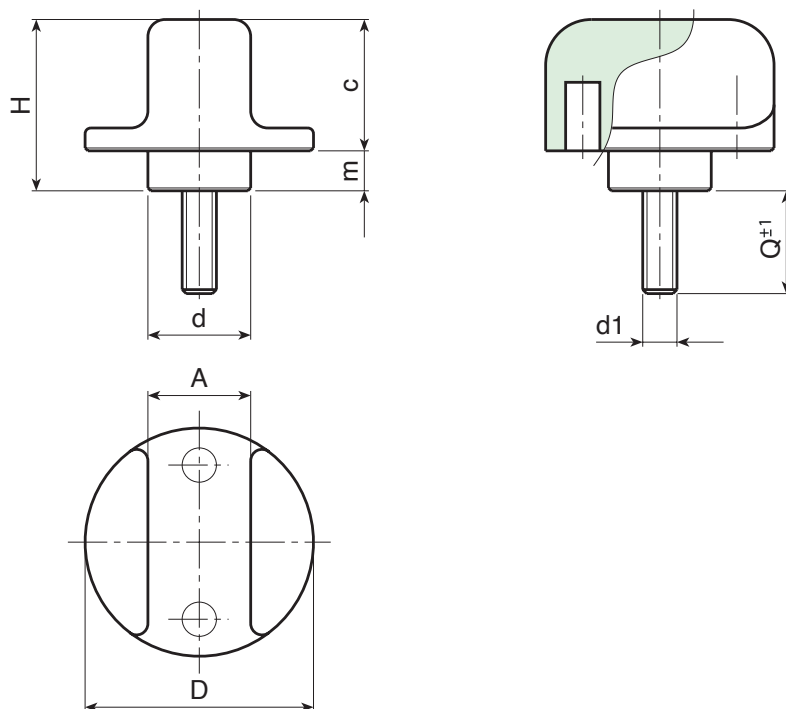
Black (RAL 9011).

### Inserts:

Galvanised steel threaded stud (thread tolerance 6g).

### Special requests:

- Upon request and for special quantities inserts can be supplied with customised lengths.
- Upon request and for special quantities inserts can be supplied in different materials.
- Upon request and for special quantities available in the colours indicated in the chart [page 959].



Code	art.	D	H	d	A	c	m	LM	d1 <sub>6g</sub>	Q	g
G79525.0006	G79525.TM05X1601	25	20	12	10	15	5	40	M5	16	12
G79525.0022	G79525.TM06X3001	25	20	12	10	15	5	40	M6	30	14
G79525.0031	G79525.TM08X2001	25	20	12	10	15	5	40	M8	20	25
G79540.0014	G79540.TM08X3001	40	30	18	18	22	7	50	M8	30	40
G79540.0024	G79540.TM10X3001	40	30	18	18	22	7	50	M10	30	43
G79540.0032	G79540.TM12X4001	40	30	18	18	22	7	50	M12	40	67

Customised stud lengths available for a minimum of 150 pieces.  
LM = Maximum mouldable length.

