

G797

KNOB WITH THREADED STUD



Materials:

Reinforced polyamide.
Resistant to oils and greases.

Surface finish:

Satin.

Colour:

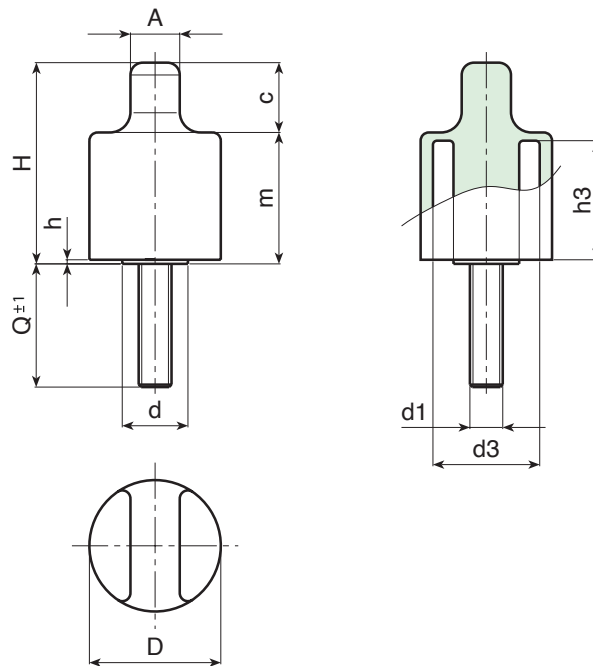
Black (RAL 9011).

Inserts:

Galvanised steel threaded stud (thread tolerance 6g).

Special requests:

- Upon request and for special quantities inserts can be supplied with customised lengths.
- Upon request and for special quantities inserts can be supplied in different materials.
- Upon request and for special quantities available in the colours indicated in the chart [page 959].



Code	art.	D	H	d	A	c	m	h	h3	d3	LM	d1 _{6g}	Q	g
G79732.0002	G79732.TM06X2001	32	49	16	12	15	34	1	29	25.5	60	M6	20	37
G79732.0005	G79732.TM08X2501	32	49	16	12	15	34	1	29	25.5	60	M8	25	43
G79732.0011	G79732.TM12X2001	32	49	16	12	15	34	1	29	25.5	60	M12	20	59

Customised stud length available for a minimum of 250 pieces.
LM = Maximum mouldable length.

