

H180



PF

UL94
HB



KNURLED KNOB WITH BAKELITE HUB AND THREADED HOLE INSERT

Materials:

Phenolic resin.
Resistant to oils and greases.
Resistant to high temperatures.

Surface finish:

Glossy.

Colour:

Black (RAL 9011).

Inserts:

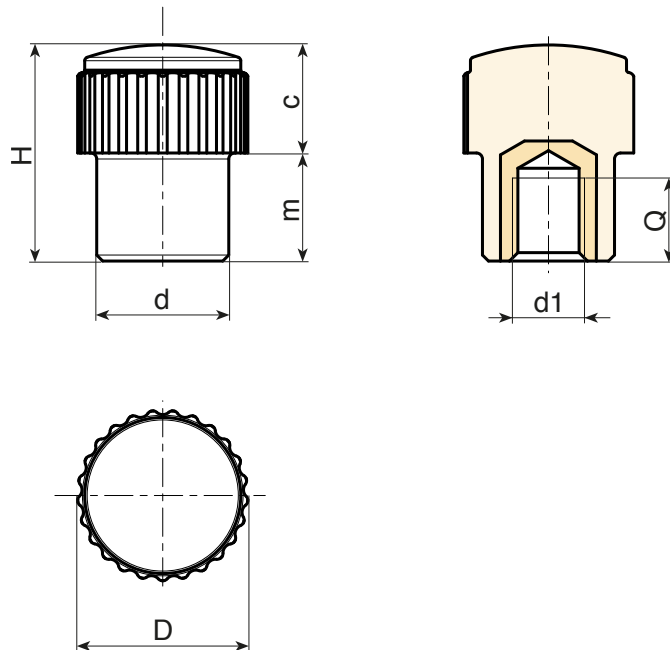
Brass insert with female threaded hole (thread tolerance 6H).

Special requests:

- None.



H



Code	art.	D	H	d	d _{16H}	Q	g
-	H18015.BM0501	15	18	11	M5	11	5